



T&S BRASS AND BRONZE WORKS, INC.

2 Saddleback Cove / P.O. Box 1088
Travelers Rest, SC 29690

Model No.

BL-4705-03

Item No.

Travelers Rest, SC: 800-476-4103 • Simi Valley, CA: 800-423-0150 • Fax: 864-834-3518 • www.tsbrass.com

This Space for Architect/Engineer Approval

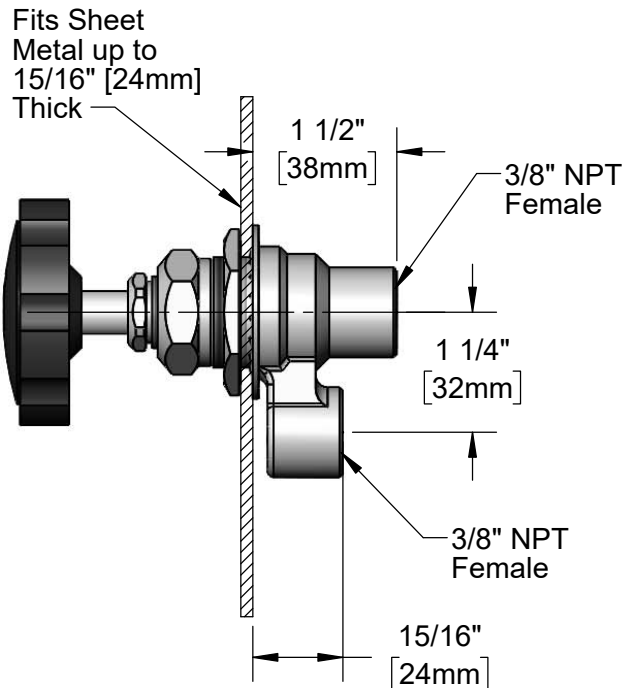
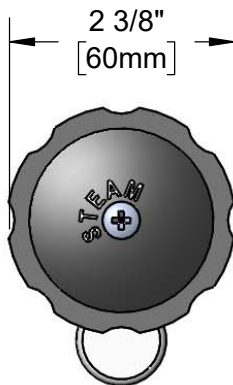
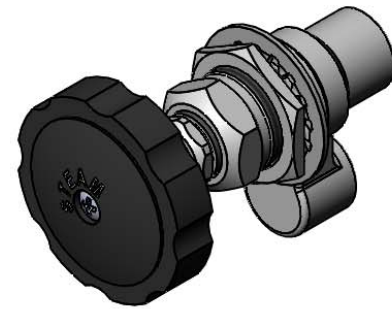
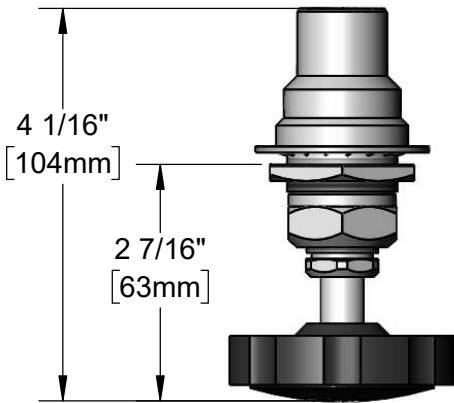
Job Name _____ Date _____

Model Specified _____ Quantity _____

Customer/Wholesaler _____

Contractor _____

Architect/Engineer _____



Notes:

1. Natural Gas Pressure: 125 PSIG Max.
2. Temperature Range: 32°F - 125°F

Product Specifications:

Fume Hood Steam Valve with Chrome Plated Brass Body, Heat Resistant Black Handle and 3/8" NPT Female Inlet and Outlet

Product Compliance:

ANSI Z21.15a / CSA 9.1a (Gas Valves)



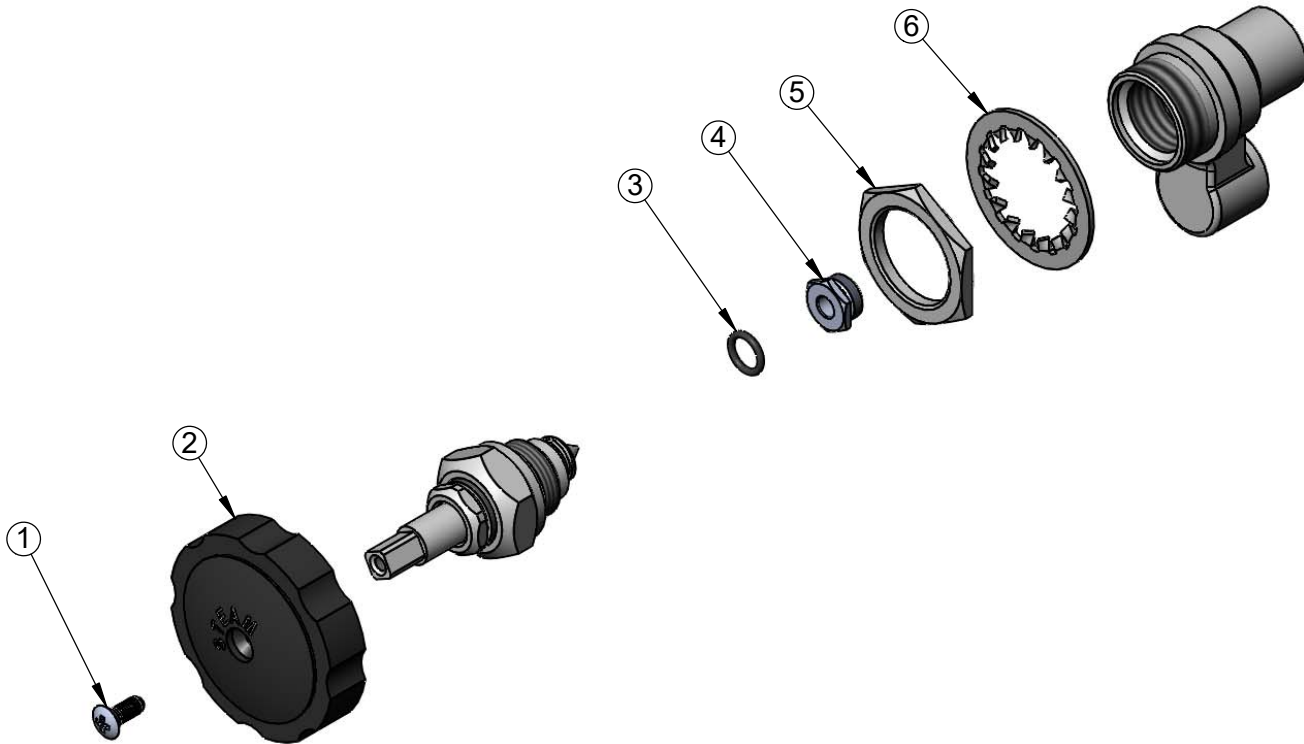
T&S BRASS AND BRONZE WORKS, INC.
 2 Saddleback Cove / P.O. Box 1088
 Travelers Rest, SC 29690

Model No.
BL-4705-03

Item No.

Travelers Rest, SC: 800-476-4103 • Simi Valley, CA: 800-423-0150 • Fax: 864-834-3518 • www.tsbrass.com

ITEM NO.	SALES NO.	DESCRIPTION
1	000922-45	Lever Handle Screw
2	001149-20	Handle, Heat Resistant, Black
3	001065-45	O-Ring
4	000529-20	Seat, BL-4500-01
5	000959-20	Locknut, Body Top
6	001003-45	Lock Washer, Int. Tooth, 1 5/32" ID



Product Specifications:
 Fume Hood Steam Valve with Chrome Plated Brass Body, Heat Resistant Black Handle and 3/8" NPT Female Inlet and Outlet

Product Compliance:
 ANSI Z21.15a / CSA 9.1a (Gas Valves)