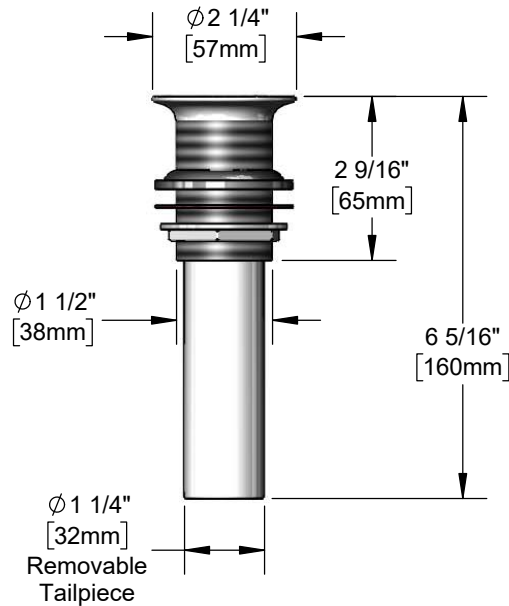




**Architect/Engineering Specifications:**

Glass filler drain with polished chrome plated drain grid face, Ø 1 1/4" brass tailpiece. Certified to ASME A112.18.2/CSA B125.2.

Job Name \_\_\_\_\_  
 Model Specified \_\_\_\_\_ Quantity \_\_\_\_\_  
 Variations Specified \_\_\_\_\_  
 Date \_\_\_\_\_



**Features & Benefits:**

- Polished chrome plated  $\phi 2 \frac{1}{4}''$  drain grid face
- $\phi 1 \frac{1}{4}''$  brass tailpiece
- Fits sinks with  $\phi 1 \frac{7}{16}''$  to  $\phi 1 \frac{3}{4}''$  drain hole
- Material: Brass body with polished chrome plated grid face & brass tailpiece

**Product Compliance:**

- ASME A112.18.2 / CSA B125.2



**Warranty:** One Year (Limited)

**Performance Data:**

- Discharge Rate: 11.78 GPM Max

