



**Gas Hoses**  
**HG-4F-60SEL**

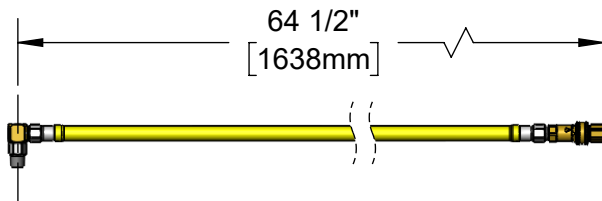
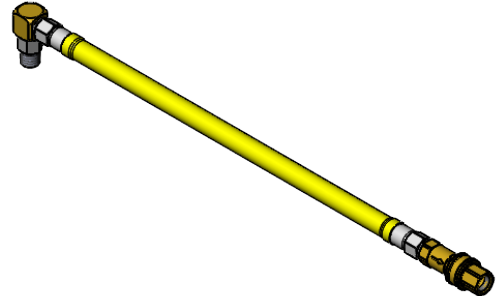
TAG:

**SAFELINK Gas Hoses**

**Architect/Engineering Specifications:**

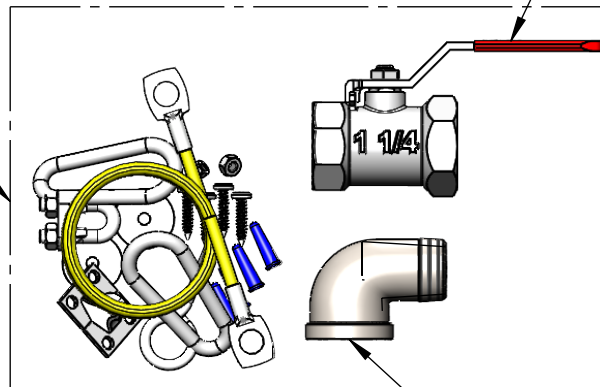
60" coated gas appliance connector hose with 1 1/4" NPT male and 1 1/4" NPT female connections, 2-piece quick disconnect, (1) swivel fitting, (1) street elbow, (1) ball valve and restraining cable. Certified to ANSI Z21.69/CSA 6.16 and NSF 2.

Job Name \_\_\_\_\_  
 Model Specified \_\_\_\_\_ Quantity \_\_\_\_\_  
 Variations Specified \_\_\_\_\_  
 Date \_\_\_\_\_



Ball Valve

Installation Kit



Street El



**Features & Benefits:**

- 60" coated gas appliance connector
- 1 1/4" NPT male freespin inlet
- 1 1/4" NPT female quick-disconnect
- Quick-disconnect socket acts as a shut-off valve when the plug and socket are disconnected
- (1) 1 1/4" NPT SwiveLink fitting w/ male outlet
- 5' restraining cable kit
- (1) 1 1/4" NPT 90° street elbow
- (1) 1 1/4" NPT ball valve
- 360° rotatable hex nut rotates completely and freely
- Optimum torsional relief improves safety, increases connector life
- Provides efficient, full gas flow
- Material: Extruded coated stainless steel braids

**Product Compliance:**

- ANSI Z21.69 / CSA 6.16
- NSF 2
- NFPA 54

**Warranty:** Five Year (Limited)

**Performance Data:**

- Gas Pressure: 1/2 psi max
- Temperature: 350°F max w/ fuseable link thermal shut-off
- Capacity: 475,000 BTU/hr min



**T&S BRASS AND BRONZE WORKS, INC.**



• 2 Saddleback Cove • Travelers Rest, SC 29690  
 Ph 800-476-4103 • Fax 864-834-3518  
 • Simi Valley, CA • Ph 800-423-0150 • www.tsbrass.com

Date: 09/25/24