



# T&S BRASS AND BRONZE WORKS, INC.

2 Saddleback Cove / P.O. Box 1088  
Travelers Rest, SC 29690

Model No.

**BL-4422-0**

Item No.

Travelers Rest, SC: 800-476-4103 • Simi Valley, CA: 800-423-0150 • Fax: 864-834-3518 • www.tsbrass.com



ADA Compliant

This Space for Architect/Engineer Approval

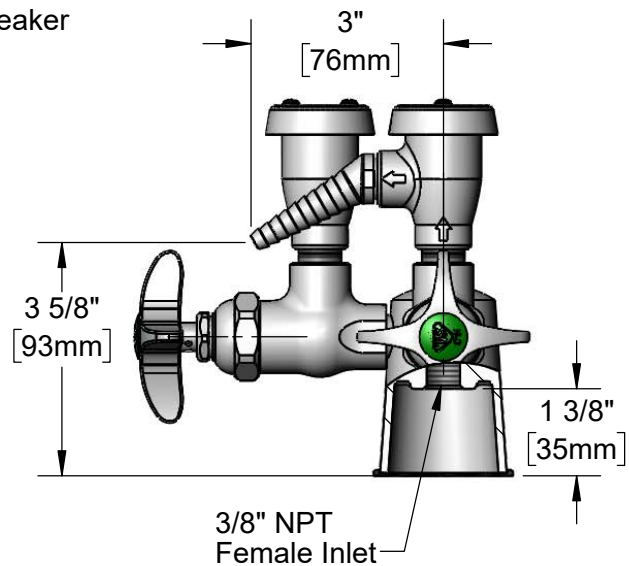
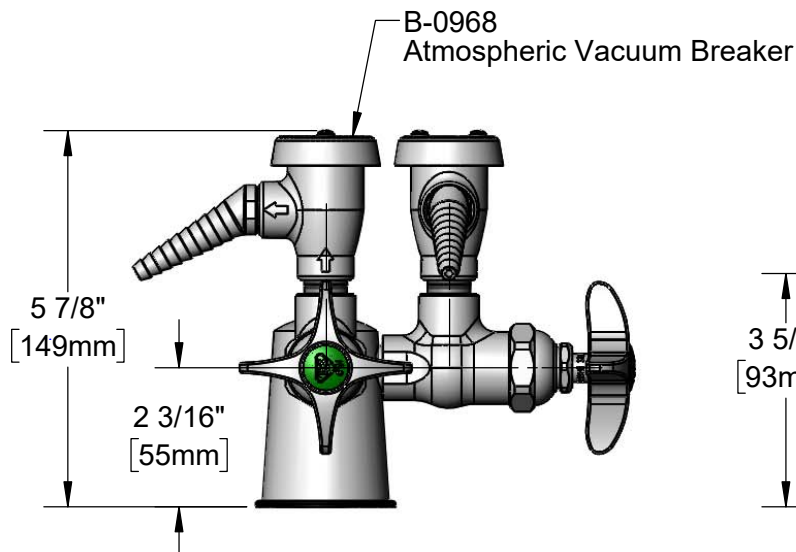
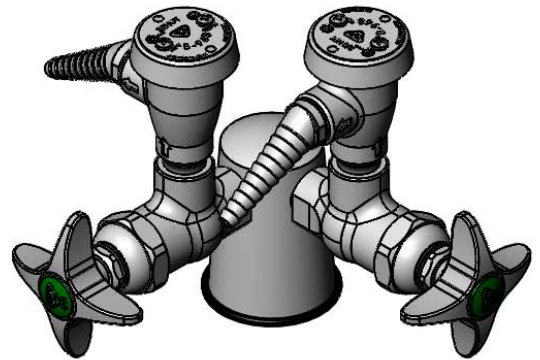
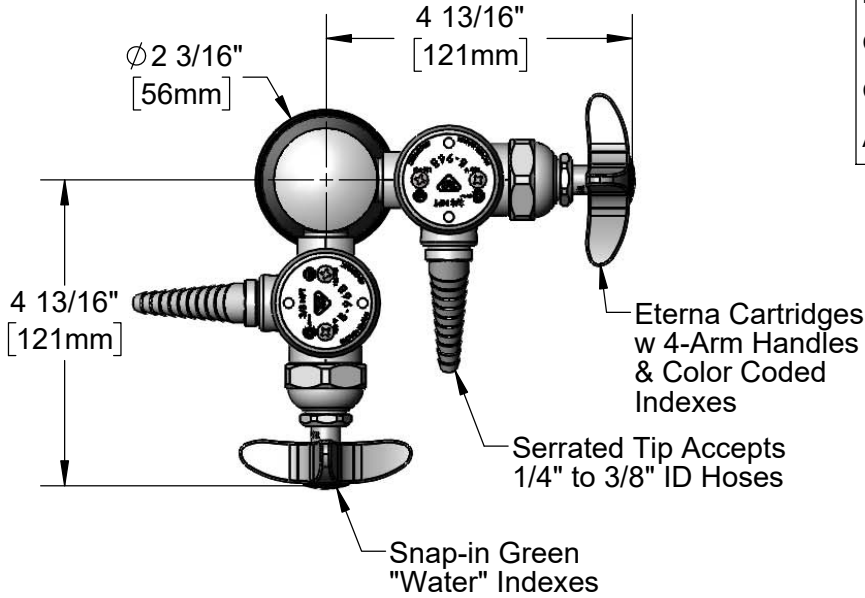
Job Name \_\_\_\_\_ Date \_\_\_\_\_

Model Specified \_\_\_\_\_ Quantity \_\_\_\_\_

Customer/Wholesaler \_\_\_\_\_

Contractor \_\_\_\_\_

Architect/Engineer \_\_\_\_\_



**Product Specifications:**

Laboratory Turret with (2) Water Outlets, Vacuum Breakers, Angled Serrated Tips and 3/8" NPT Female Inlet

**Product Compliance:**

ASME A112.18.1 / CSA B125.1  
NSF 61 - Section 9  
NSF 372 (Low Lead Content)  
ASSE 1001 (VB)  
ANSI A117.1 (ADA)



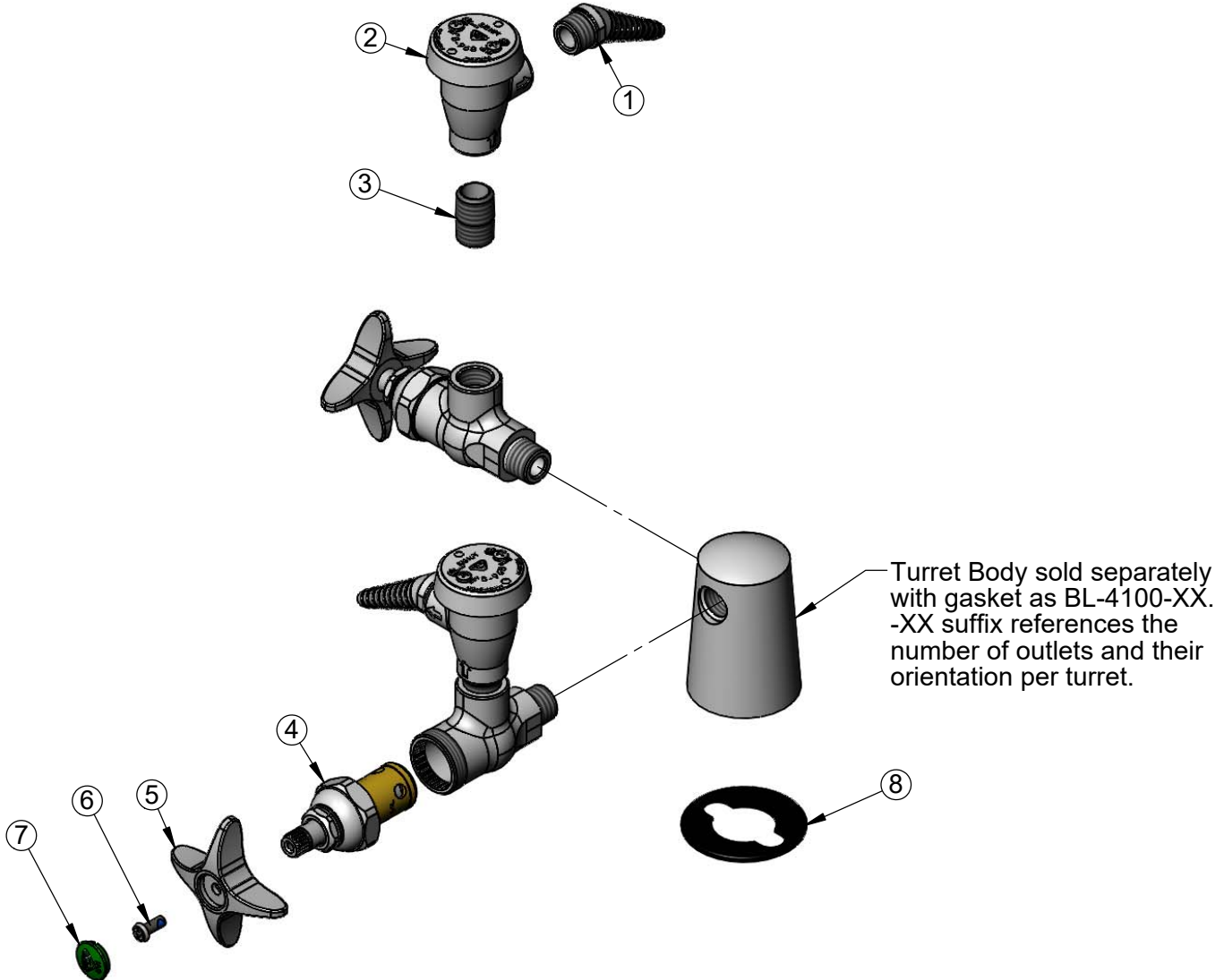
**T&S BRASS AND BRONZE WORKS, INC.**  
 2 Saddleback Cove / P.O. Box 1088  
 Travelers Rest, SC 29690

Model No.  
**BL-4422-0**

Item No.

Travelers Rest, SC: 800-476-4103 • Simi Valley, CA: 800-423-0150 • Fax: 864-834-3518 • www.tsbrass.com

ITEM NO.	SALES NO.	DESCRIPTION
1	BL-5550-05	Angled Serrated Hose End
2	B-0968	3/8" NPT Vacuum Breaker
3	002535-25	3/8" Close Nipple
4	005960-40	Eterna Cartridge, RTC
5	002521-45NS	4-Arm Handle (New Style)
6	000925-45	Lab Handle Screw
7	001191-45NS	Green "CW" Lab Button Index
8	144L	Black Plastic Gasket



Turret Body sold separately with gasket as BL-4100-XX. -XX suffix references the number of outlets and their orientation per turret.

**Product Specifications:**

Laboratory Turret with (2) Water Outlets, Vacuum Breakers, Angled Serrated Tips and 3/8" NPT Female Inlet

**Product Compliance:**

ASME A112.18.1 / CSA B125.1  
 NSF 61 - Section 9  
 NSF 372 (Low Lead Content)  
 ASSE 1001 (VB)  
 ANSI A117.1 (ADA)