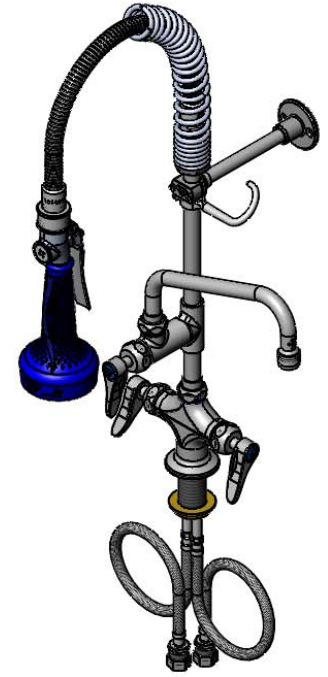
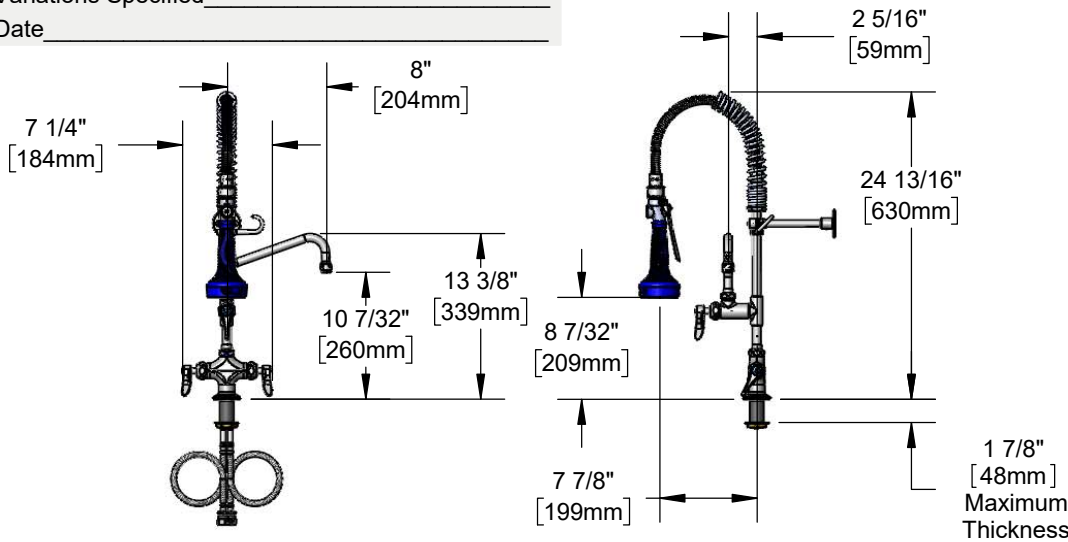




Architect/Engineering Specifications:

Single hole deck mount mixing faucet with polished chrome plated brass body, add-on faucet with ceramic cartridge and lever handle, 8" swing nozzle with stream regulator outlet, 8" riser, vacuum breaker, 24" flexible stainless steel hose with heat resistant handle, 1.07 GPM JeTSpray valve, pre-rinse swivel, ceramic cartridges with check valves, lever handles, 18" flexible stainless steel supply hoses with 1/2" NPSM / 5/8" compression connections, 6" adjustable wall bracket, spray valve holder and overhead spring. Certified to ASME A112.18.1/CSA B125.1, NSF 61-Section 9 and NSF 372. 2019 DOE PRSV - Class II compliant.

Job Name _____
Model Specified _____ Quantity _____
Variations Specified _____
Date _____



Features & Benefits:

- Single hole deck mount mixing faucet w/ polished chrome plated brass body & Ø 2 1/4" deck flange
EasyInstall add-on faucet w/ polished chrome plated brass body
Continuous pressure vacuum breaker
8" swing nozzle w/ stream regulator outlet, Series 1
8" rigid riser
24" flexible stainless steel hose
1.07 GPM JeTSpray valve w/ pre-rinse swivel, insulated grip handle, stainless steel trigger and trigger lock
Quarter-turn Cerama cartridges with check valves to prevent cross flow of water
Lever handles w/ color coded indexes
18" flexible stainless steel supply hoses w/ 1/2" NPSM / 5/8" compression connections
6" adjustable wall bracket
Material: Polished chrome plated brass body & tubular nozzle, vacuum breaker, add-on faucet body, riser & spray valve, stainless steel hose and chrome plated metal handles

Product Compliance:

- ASME A112.18.1 / CSA B125.1
NSF 61 - Section 9
NSF 372 (Low Lead Content)
2019 DOE PRSV - Class II
For Commercial use Only



Warranty: Three Year (Limited)

- Cerama Cartridge: Lifetime (Limited)

Performance Data:

- Pressure: 20 - 125 psi
Temperature: 40 °F - 140 °F
Flow Rate:

Spray Valve: 1.07 GPM @ 60 psi
Add-On Faucet: 4.51 GPM @ 60 psi

Optional Cartridges With Checks

- Quarter-Turn Cerama w/ Check Valve (Standard)
Quarter-Turn Eterna w/ Spring Check

Optional Handles

- 4" Wrist Action
Lever (Standard)
4-Arm

Optional Pre-Rinse Spray Valves

- B-0107 (1.15 GPM)
B-0107-C (0.65 GPM)
B-0107-J (1.07 GPM)
B-0108 (1.07 GPM) (Standard)
B-0108-C (0.65 GPM)

Optional Add-On Faucet Outlets (Series 1 / VR Series 6)

Table with 3 columns: GPM, Aerated, VR Aerated (VR Laminar). Rows for 1.0, 1.5, and 2.2 GPM.

