



T&S BRASS AND BRONZE WORKS, INC.
 2 Saddleback Cove / P.O. Box 1088
 Travelers Rest, SC 29690

Model No.
020848-20

Item No.

Travelers Rest, SC: 800-476-4103 • Simi Valley, CA: 800-423-0150 • Fax: 864-834-3518 • www.tsbrass.com

This Space for Architect/Engineer Approval

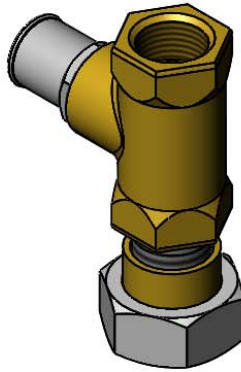
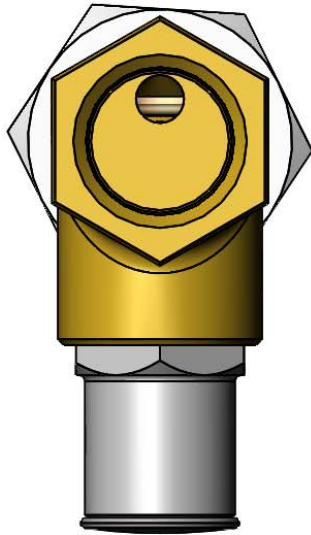
Job Name _____ Date _____

Model Specified _____ Quantity _____

Customer/Wholesaler _____

Contractor _____

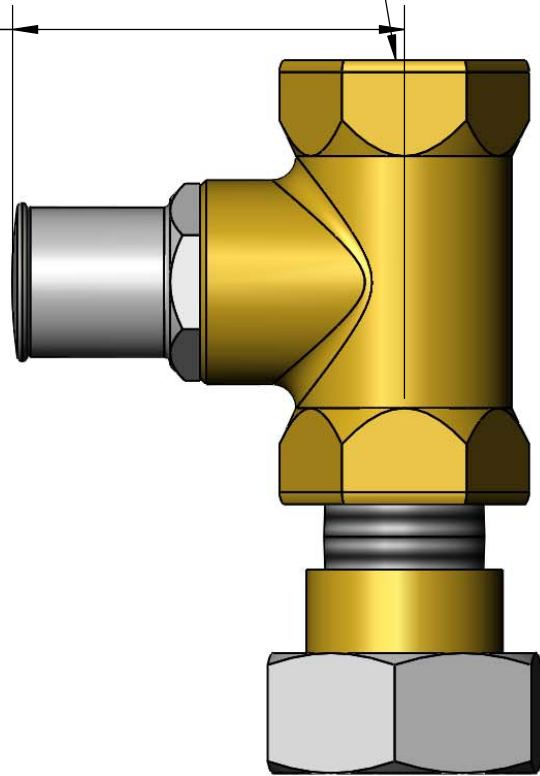
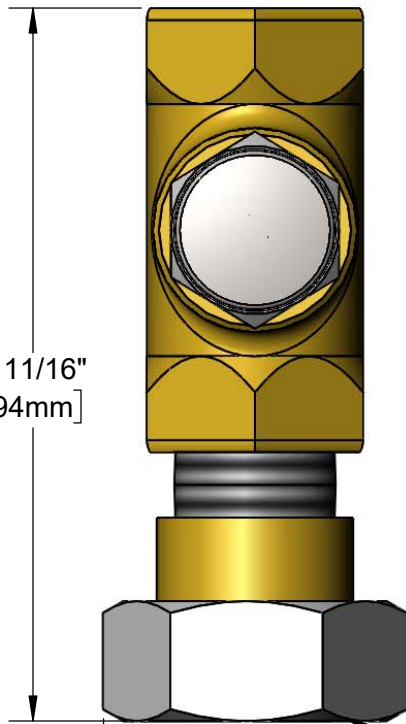
Architect/Engineer _____



1/2" NPT
 Female Thread

2 1/16"
 [52mm]

3 11/16"
 [94mm]



1 9/16"
 [40mm]

Installation Swivel
 w/ Sealing Washer

Product Specifications:
 1/2" NPT Loose Key Supply Stop, Unplated

Product Compliance:
 NSF 61 - Section 9
 NSF 372 (Low Lead Content)