



T&S BRASS AND BRONZE WORKS, INC.
 2 Saddleback Cove / P.O. Box 1088
 Travelers Rest, SC 29690

Model No.
B-0720

Item No.

Travelers Rest, SC: 800-476-4103 • Simi Valley, CA: 800-423-0150 • Fax: 864-834-3518 • www.tsbrass.com

This Space for Architect/Engineer Approval

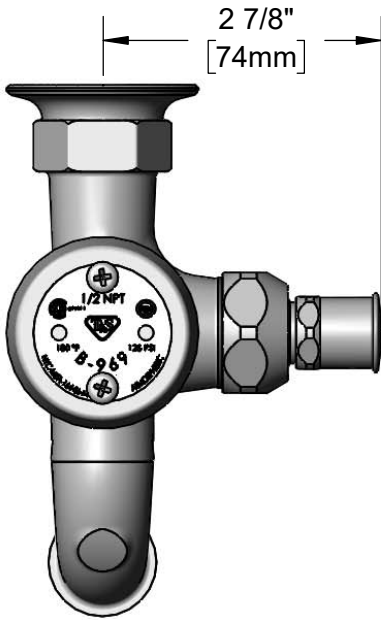
Job Name _____ Date _____

Model Specified _____ Quantity _____

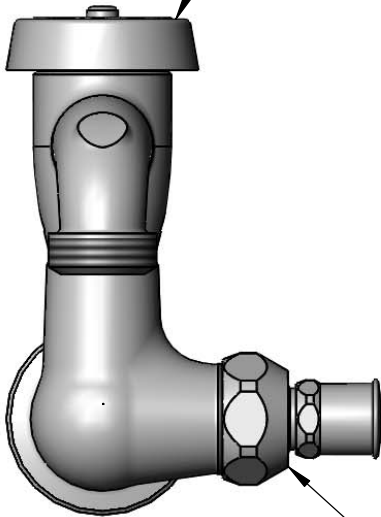
Customer/Wholesaler _____

Contractor _____

Architect/Engineer _____



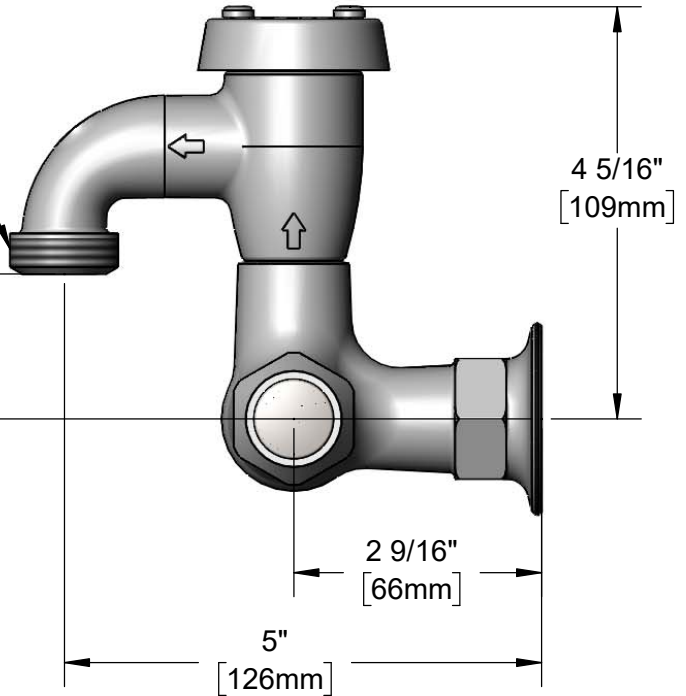
B-0969
 1/2" NPT Vacuum
 Breaker



Garden Hose
 Male Outlet

1 1/2"
 [38mm]

Loose Key Stop
 Eterna Cartridge w/
 Spring Check



Product Specifications:

Single Hole Single Temperature Wall Mount Sill Faucet, Loose Key Stop Eterna Cartridge w/ Spring Check, Vacuum Breaker, Spout w/ Garden Hose Male Outlet, Polished Chrome Finish & 1/2" NPT Female Inlet

Product Compliance:

ASME A112.18.1 / CSA B125.1
 NSF 61 - Section 9
 NSF 372 (Low Lead Content)
 ASSE 1001 (VB)



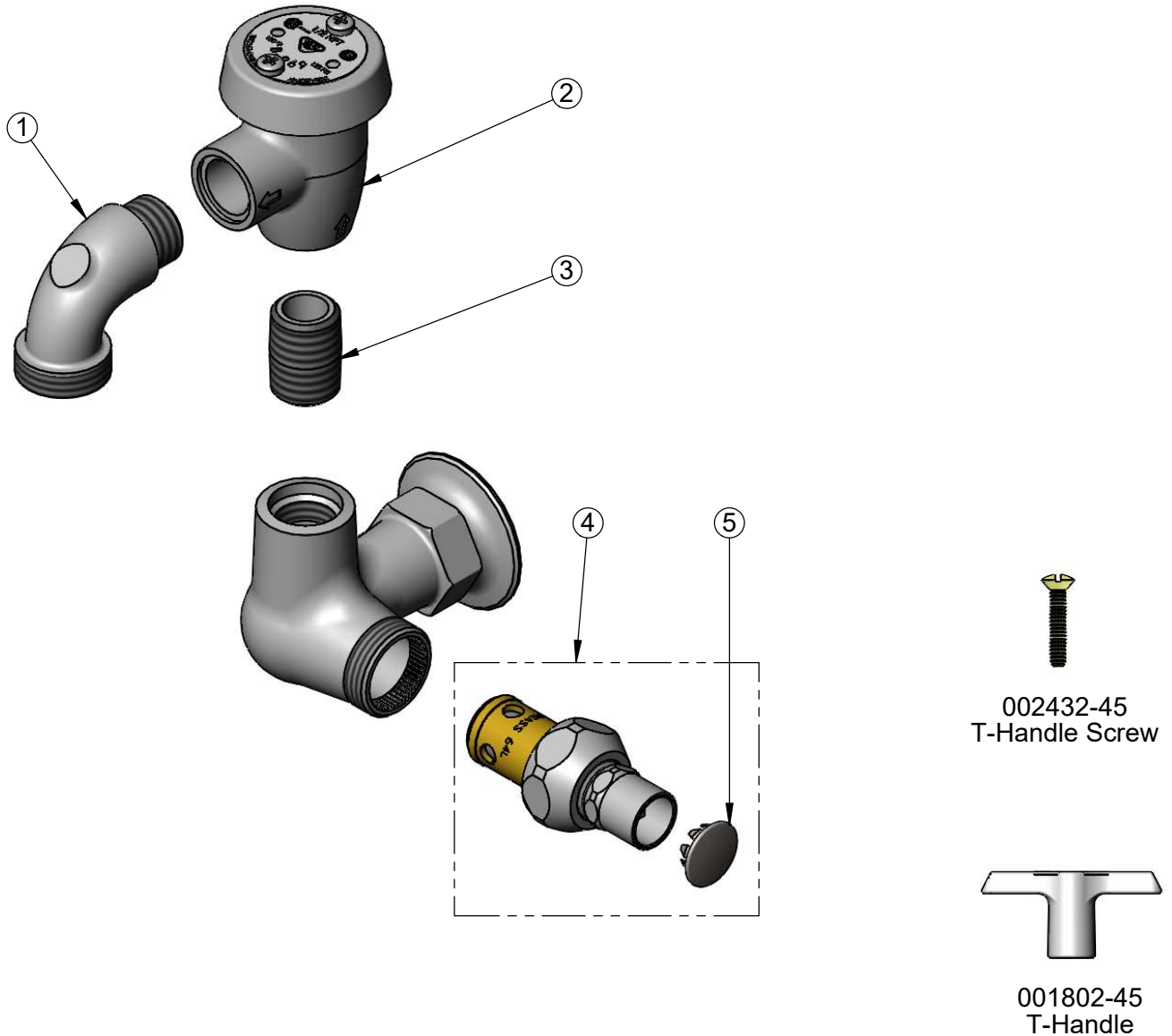
T&S BRASS AND BRONZE WORKS, INC.
 2 Saddleback Cove / P.O. Box 1088
 Travelers Rest, SC 29690

Model No.
B-0720

Item No.

Travelers Rest, SC: 800-476-4103 • Simi Valley, CA: 800-423-0150 • Fax: 864-834-3518 • www.tsbrass.com

ITEM NO.	SALES NO.	DESCRIPTION
1	001618-40	Spout, Short
2	B-0969	1/2" NPT Vacuum Breaker
3	002534-25	Close Nipple, 1/2" NPT
4	124A-NS	Loose Key Stop Eterna Cartridge, RTC w/ T-Handle, Screw & Cap
5	001605-45	Cap



Product Specifications:
 Single Hole Single Temperature Wall Mount Sill Faucet, Loose Key Stop Eterna Cartridge w/ Spring Check, Vacuum Breaker, Spout w/ Garden Hose Male Outlet, Polished Chrome Finish & 1/2" NPT Female Inlet

Product Compliance:
 ASME A112.18.1 / CSA B125.1
 NSF 61 - Section 9
 NSF 372 (Low Lead Content)
 ASSE 1001 (VB)