



Loose Key Stops

B-1355

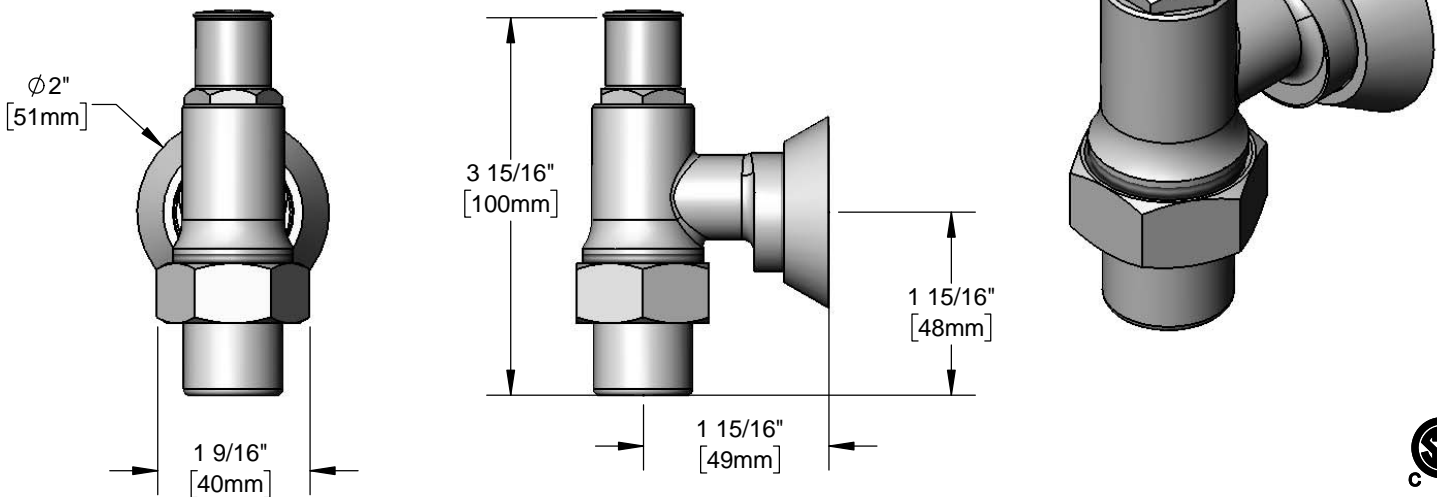
TAG:

Angle Loose Key Stop

Architect/Engineering Specifications:

Loose key angle stop with chrome plated brass body, loose key style shut-off valve with tee handle, 3/8" NPT female inlet and 3/8" NPT female union coupling outlet. Certified to ASME A112.18.1/CSA B125.1, NSF 61-Section 9 and NSF 372.

Job Name _____
Model Specified _____ Quantity _____
Variations Specified _____
Date _____



Features & Benefits:

- Loose key angle stop with polished chrome plated body
- Loose key style shut-off valve with tee handle
- 3/8" NPT female inlet
- 3/8" NPT female union coupling outlet
- 2" adjustable flange
- Includes loose key tee handle and screw
- Material: Polished chrome plated brass

Product Compliance:

- ASME A112.18.1 / CSA B125.1
- NSF 61 - Section 9
- NSF 372 (Low Lead Content)



Warranty: One Year (Limited)

Performance Data:

- Pressure: 20 - 125 psi
- Temperature: 40 °F - 140 °F
- Flow Rate: 4.84 GPM @ 60 psi



T&S BRASS AND BRONZE WORKS, INC.



• 2 Saddleback Cove • Travelers Rest, SC 29690
 Ph 800-476-4103 • Fax 864-834-3518
 • Simi Valley, CA • Ph 800-423-0150 • www.tsbrass.com

Date: 08/08/17