



T&S BRASS AND BRONZE WORKS, INC.

2 Saddleback Cove / P.O. Box 1088
Travelers Rest, SC 29690

Model No.

MPY-8WCV-08-CR

Item No.

Travelers Rest, SC: 800-476-4103 • Simi Valley, CA: 800-423-0150 • Fax: 864-834-3518 • www.tsbrass.com

This Space for Architect/Engineer Approval

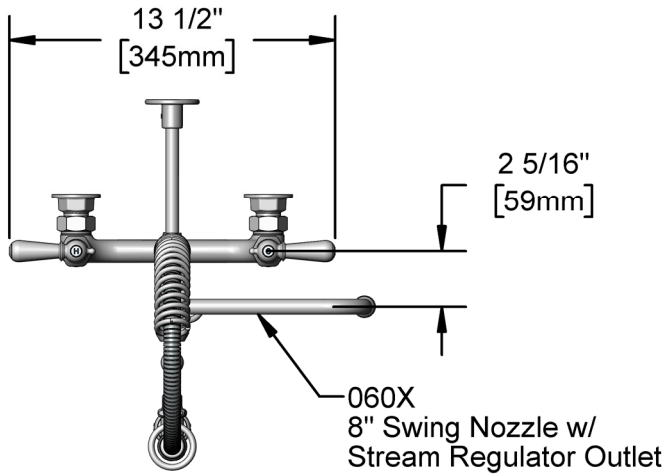
Job Name _____ Date _____

Model Specified _____ Quantity _____

Customer/Wholesaler _____

Contractor _____

Architect/Engineer _____



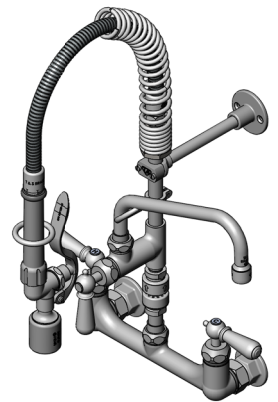
060X
8" Swing Nozzle w/
Stream Regulator Outlet

24" Flexible Stainless
Steel Hose w/ Spring
& Spray Valve

Items Not Shown
For Clarity

3/8" NPT x 5 3/16" Riser

B-0107-C
0.65 GPM Low
Flow Spray Valve



B-0109-01
6" Wall
Bracket

21 1/8"
[536mm]

B-0970-FEZ
Vacuum
Breaker

8"
[204mm]

9 3/8"
[237mm]

12 1/2"
[317mm]

3 3/4"
[95mm]

4"
[102mm]

Finger Hook

Add-On Faucet
w/ Quarter-Turn
Cerama Cartridge
& Club Handle

8"
[203mm]
Adjustable From
7 3/4" to 8 1/4"
[197mm to 210mm]

Quarter-Turn
Cerama Cartridges
w/ Check Valves &
Club Handles w/
Coded Indexes

Ø2" [51mm]
Flanges w/
1/2" NPT
Female Inlets

7 3/8"
[187mm]

2 3/8"
[61mm]

Mounting
Surface

Product Specifications:

Pre-Rinse Unit: EasyInstall 8" Wall Mount Mixing Faucet, Quarter-Turn Cerama Cartridges w/ Check Valves, Club Handles, Add-On Faucet w/ 8" Swing Nozzle, Vacuum Breaker, Compact Spring, 24" Flexible Stainless Steel Hose, 0.65 GPM Low Flow Spray Valve, 6" Wall Bracket & 1/2" NPT Female Inlets

Product Compliance:

ASME A112.18.1 / CSA B125.1
NSF 61 - Section 9
NSF 372 (Low Lead Content)
2019 DOE PRSV - Class I
CSA B64.8 (VB)
For Commercial Use Only



T&S BRASS AND BRONZE WORKS, INC.

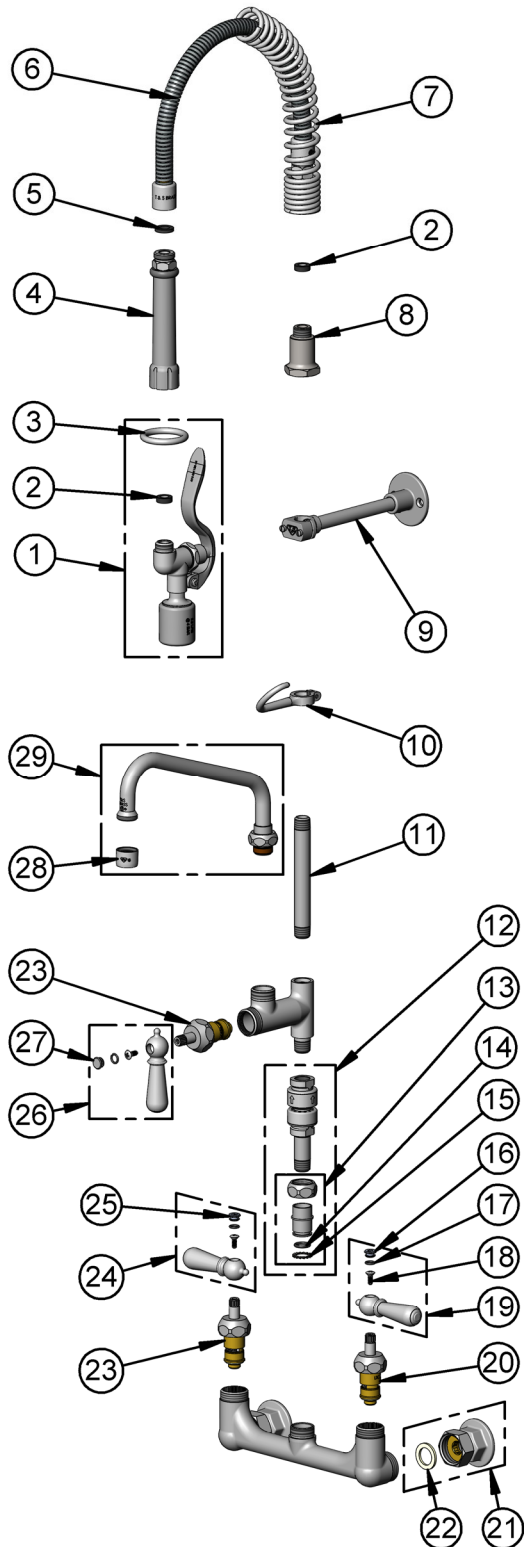
2 Saddleback Cove / P.O. Box 1088
Travelers Rest, SC 29690

Model No.

MPY-8WCV-08-CR

Item No.

Travelers Rest, SC: 800-476-4103 • Simi Valley, CA: 800-423-0150 • Fax: 864-834-3518 • www.tsbrass.com



ITEM NO.	SALES NO.	DESCRIPTION
1	B-0107-C	0.65 GPM Low Flow Spray Valve
2	010476-45	#27 Washer
3	000907-45	Spray Valve Hold Down Ring
4	002987-40	Grip Handle
5	001014-45	Washer, B-0100 Hose Barrel
6	B-0024-H2A	24" Flexible Stainless Steel Hose, Less Handle
7	016795-45	Compact Spring
8	000821-40	Spring Body
9	B-0109-01	6" Wall Bracket
10	004R	Finger Hook
11	001617-40	Nipple, 3/8" NPT x 5-3/16"
12	B-0970-FEZ	EasyInstall Vacuum Breaker Kit
13	EZ-K	EasyInstall Kit
14	001065-45	O-Ring
15	014200-45	Star Washer, Anti-Rotation
16	009304-41	Decorative Cap Insert, Cold
17	001066-45	O-Ring
18	000922-45	Lever Handle Screw
19	009331-41	Decorative Club Handle Kit, Cold
20	012395-25NS	Quarter-Turn Cerama Cartridge w/ Check Valve, LTC
21	00AA	1/2" NPT Female Eccentric Flange
22	001019-45	Coupling Nut Washer
23	012394-25NS	Quarter-Turn Cerama Cartridge w/ Check Valve, RTC
24	009332-41	Decorative Club Handle Kit, Hot
25	009303-41	Decorative Cap Insert, Hot
26	017181-41	Decorative Club Handle Kit, Blank
27	009285-40	Cap Insert Blank
28	B-PT	Full Flow Stream Regulator, 55/64-27
29	060X	8" Swing Nozzle

Product Specifications:

Pre-Rinse Unit: EasyInstall 8" Wall Mount Mixing Faucet, Quarter-Turn Cerama Cartridges w/ Check Valves, Club Handles, Add-On Faucet w/ 8" Swing Nozzle, Vacuum Breaker, Compact Spring, 24" Flexible Stainless Steel Hose, 0.65 GPM Low Flow Spray Valve, 6" Wall Bracket & 1/2" NPT Female Inlets

Product Compliance:

ASME A112.18.1 / CSA B125.1
NSF 61 - Section 9
NSF 372 (Low Lead Content)
2019 DOE PRSV - Class I
CSA B64.8 (VB)
For Commercial Use Only