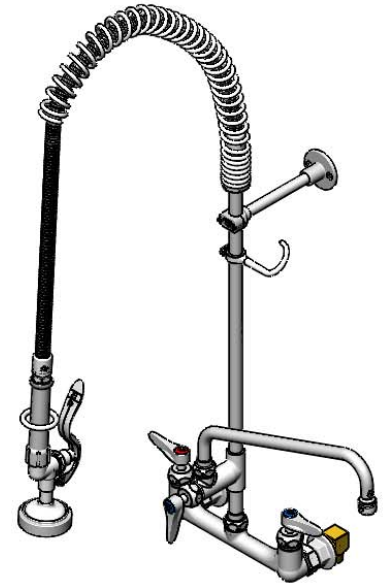
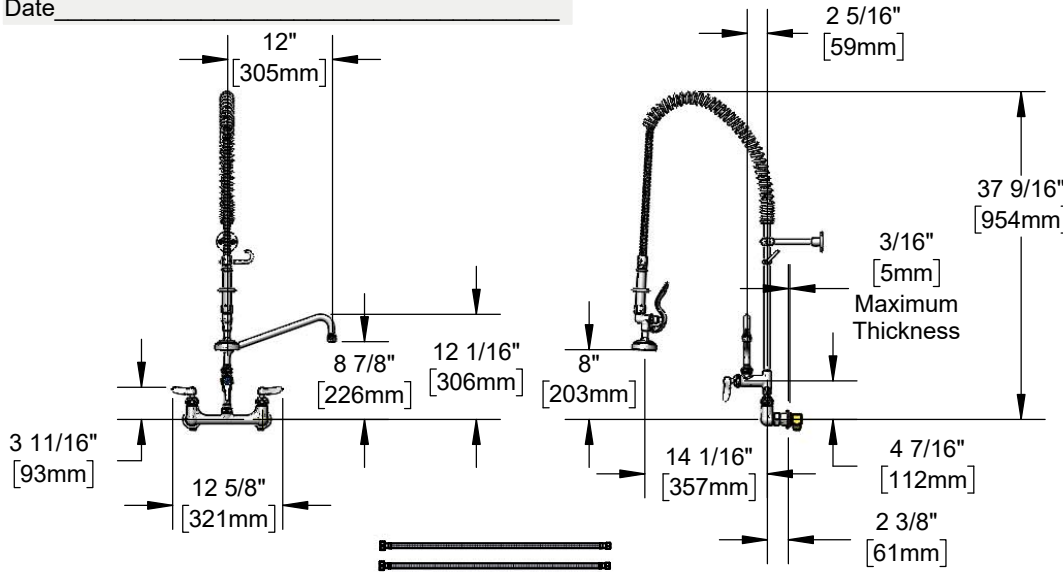




Architect/Engineering Specifications:

8" wall mount mixing faucet with polished chrome plated brass body, add-on faucet with ceramic cartridge and lever handle, 12" swing nozzle with stream regulator outlet, 18" riser, 44" flexible stainless steel hose with heat resistant handle, 1.15 GPM spray valve, ceramic cartridges with check valves, lever handles, installation kit with 1/2" NPT male inlets, (2) 24" flexible stainless steel hoses, 6" adjustable wall bracket, spray valve holder and overhead spring. Certified to ASME A112.18.1/CSA B125.1, NSF 61-Section 9 & NSF 372. 2019 DOE PRSV - Class II compliant.

Job Name _____
Model Specified _____ Quantity _____
Variations Specified _____
Date _____



Features & Benefits:

- 8" wall mount mixing faucet w/ polished chrome plated brass body
EasyInstall add-on faucet w/ polished chrome plated brass body
12" swing nozzle w/ stream regulator outlet, Series 1
18" rigid riser
44" flexible stainless steel hose with heat resistant gray handle and hold down ring
1.15 GPM spray valve
Quarter-turn Cerama cartridges with check valves to prevent cross flow of water
Lever handles w/ color coded indexes
1/2" NPT female eccentric inlets with Ø 2" flanges
1/2" NPT male elbow installation Kit w/ (2) 24" flexible stainless steel hoses
Adjustable centers from 7 3/4" to 8 1/4"
6" adjustable wall bracket
Material: Polished chrome plated brass body, tubular nozzle, add-on faucet body, riser & spray valve body, stainless steel hose and chrome plated metal handles

Product Compliance:

- ASME A112.18.1 / CSA B125.1
NSF 61 - Section 9
NSF 372 (Low Lead Content)
2019 DOE PRSV - Class II



Warranty: Three Year (Limited)

Performance Data:

- Pressure: 20 - 125 psi [1.38 - 8.62 bar]
Temperature: 40 °F - 140 °F [4.44 °C - 60 °C]
Flow Rate:
Spray Valve: 1.15 GPM [4.35 l/min] @ 60 psi [4.14 bar]
Add-On Faucet: 5.35 GPM [20.25 l/min] @ 60 psi [4.14 bar]

Optional Add-On Faucet Outlets (Series 1 / VR Series 6)

Table with 3 columns: GPM, Aerated, VR Aerated (VR Laminar). Rows for 1.0, 1.5, and 2.2 GPM.

Optional Cartridges With Checks

- Quarter-Turn Cerama w/ Check Valve (Standard)
Quarter-Turn Eterna w/ Spring Check

Optional Handles

- 4" Wrist Action
Lever (Standard)
4-Arm

Optional Pre-Rinse Spray Valves

- B-0107 (1.15 GPM)(Standard)
B-0107-C (0.65 GPM)
B-0107-J (1.07 GPM)
B-0108 (1.07 GPM)
B-0108-C (0.65 GPM)

