



T&S BRASS AND BRONZE WORKS, INC.

2 Saddleback Cove / P.O. Box 1088
Travelers Rest, SC 29690

Model No.

B-0199-02-N035

Item No.

Travelers Rest, SC: 800-476-4103 • Simi Valley, CA: 800-423-0150 • Fax: 864-834-3518 • www.tsbrass.com

This Space for Architect/Engineer Approval

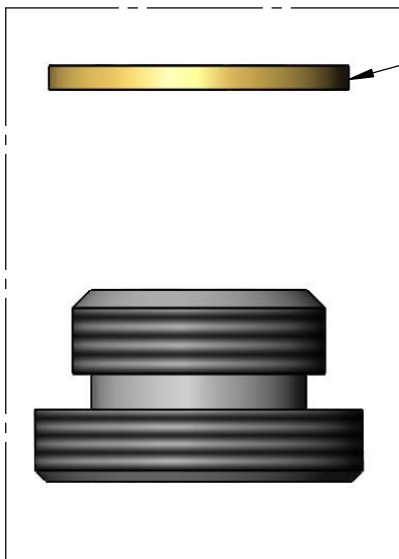
Job Name _____ Date _____

Model Specified _____ Quantity _____

Customer/Wholesaler _____

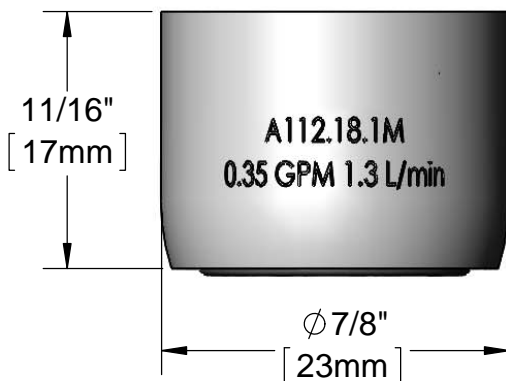
Contractor _____

Architect/Engineer _____



001043-45
Washer

044A
Aerator Adapter,
55/64"-27 UN x 3/8" NPSM
(Includes Washer)



B-0199-01-N035
0.35 GPM [1.3 L/min]
Non-Aerated Spray Device,
55/64"-27 UN Female Thread

Product Specifications:
0.35 GPM Non-Aerated Spray Device w/ 3/8" NPSM Male Thread

Product Compliance:
ASME A112.18.1 / CSA B125.1
NSF 61 - Section 9
NSF 372 (Low Lead Content)