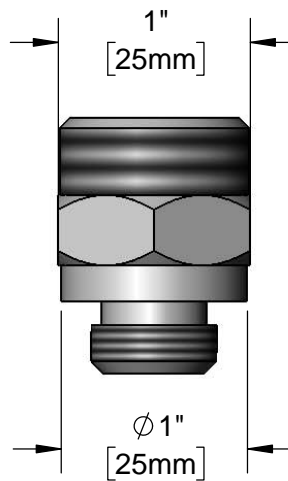
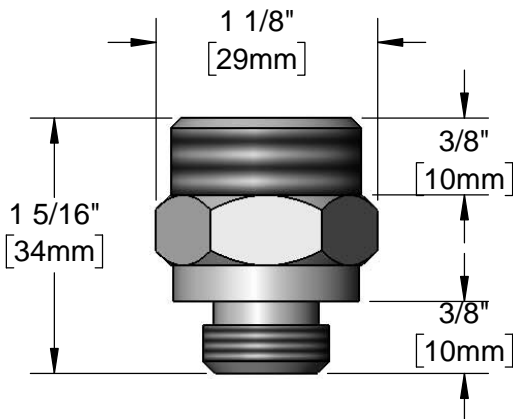
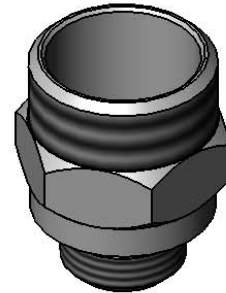




**Architect/Engineering Specifications:**

Chrome plated brass swivel to rigid adapter with 1-20 UN female thread x 3/8" NPT male thread. Certified to ASME A112.18.1/CSA B125.1, NSF 61-Section 9 and NSF 372.

Job Name \_\_\_\_\_  
 Model Specified \_\_\_\_\_ Quantity \_\_\_\_\_  
 Variations Specified \_\_\_\_\_  
 Date \_\_\_\_\_



**Features & Benefits:**

- Chrome plated brass rigid to swivel adapter
- 1-20 UN male thread x 3/8" NPT male thread
- Accepts T&S goosenecks and swing nozzles
- Use for field conversion where a faucet with 3/8" NPT outlet is installed and a swivel gooseneck or nozzle is required
- Material: Chrome plated brass

**Product Compliance:**

- ASME A112.18.1 / CSA B125.1
- NSF 61 - Section 9
- NSF 372 (Low Lead Content)

**Warranty:** One Year (Limited)

**Performance Data:**

- N/A

