



Waste Valves
B-3962-XS

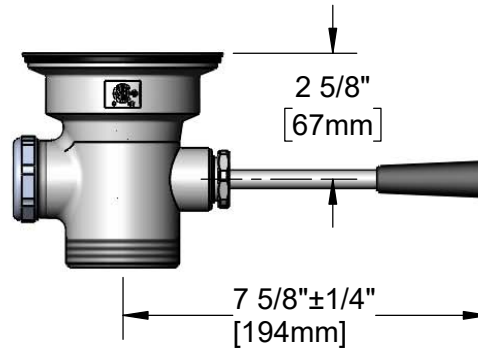
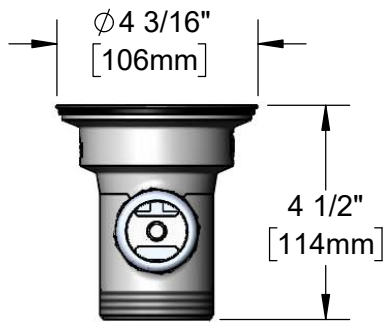
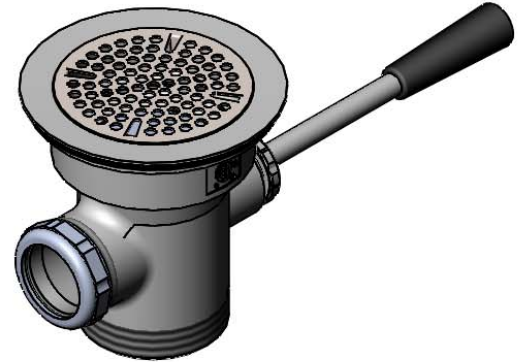
TAG:

Waste Valve with Lever Handle

Architect/Engineering Specifications:

Lever waste valve for 3" sink opening with rough chrome plated body, 2" NPT male / 1 1/2" NPT female outlet, short lever handle with heat resistant plastic grip and 3" snap-in removable strainer. Certified to ASME A112.18.2/CSA B125.2

Job Name _____
 Model Specified _____ Quantity _____
 Variations Specified _____
 Date _____



Features & Benefits:

- Lever waste valve for 3" sink opening w/ rough chrome plated body
- 2" NPT male / 1 1/2" NPT female outlet
- Short lever handle w/ heat resistant plastic grip
- 3" Snap-in removable strainer
- Material: Chrome plated brass body, adapter and stainless steel handle & flat strainer

Product Compliance:

- ASME A112.18.2 / CSA B125.2



Warranty: One Year (Limited)

Performance Data:

- Discharge Rate: 18.00 GPM [68.14 L/min] max
- Temperature: 40°F -180°F [4.44°C -82.2°C]



T&S BRASS AND BRONZE WORKS, INC.



• 2 Saddleback Cove • Travelers Rest, SC 29690
 Ph 800-476-4103 • Fax 864-834-3518
 • Simi Valley, CA • Ph 800-423-0150 • www.tsbrass.com

Date: 02/09/23