



# Epoxy Coated Retractable Hose Reels

## B-7222-C01-STB

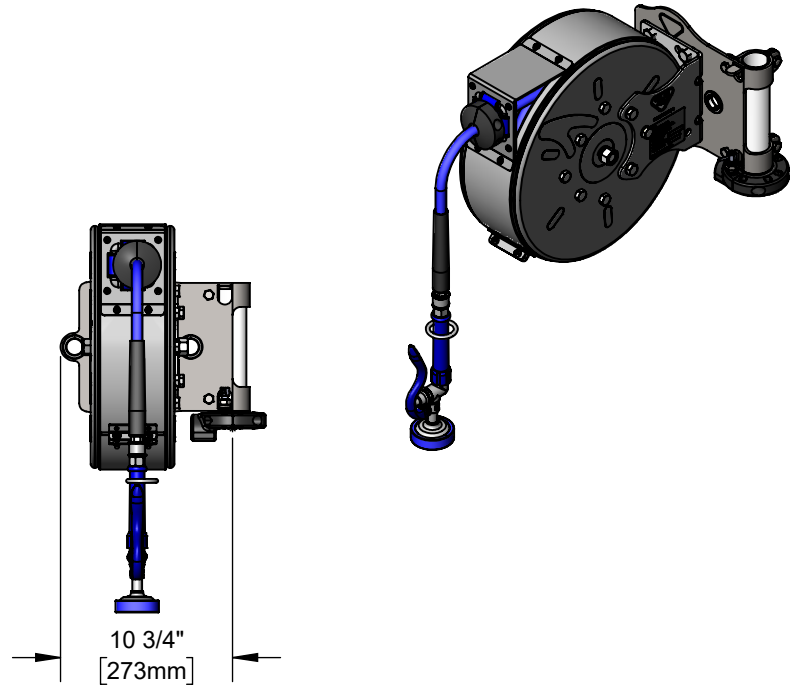
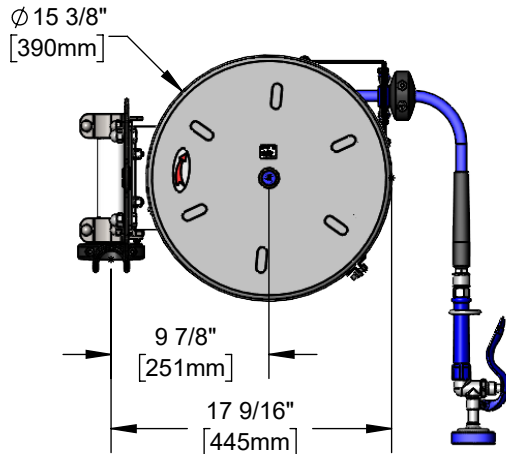
TAG:

### Enclosed Epoxy Coated Hose Reel

#### Architect/Engineering Specifications:

Enclosed epoxy coated hose reel, high flow spray valve with swivel, 3/8" x 30' heavy-duty non-marking hose, ratcheting system, adjustable hose bumper, 3/8" NPT female inlet and 180 degree table leg mounting bracket with multiple locking positions and reel-to-bracket mounting hardware.

Job Name \_\_\_\_\_  
 Model Specified \_\_\_\_\_ Quantity \_\_\_\_\_  
 Variations Specified \_\_\_\_\_  
 Date \_\_\_\_\_



#### Features & Benefits:

- Enclosed epoxy coated hose reel
- Blue high flow spray valve w/ swivel
- 3/8" x 30' heavy-duty non-marking hose rated to 300 PSI
- Ratcheting system holds the length of hose until a slight tug to retract automatically
- 3/8" NPT female inlet
- Adjustable hose bumper
- Multiple locking positions bracket
- 180 degree table leg mounting bracket designed for one person installation with reel-to-bracket mounting hardware
- Material: Epoxy coated enclosed reel, stainless steel table leg swing bracket, polished chrome plated spray valve

#### Product Compliance:

- NSF 61 Exempt (Non-Potable)
- EPA 2005 Non-Compliant (PRSV)

#### Warranty: Two Year (Limited)

- Hose: One Year (Limited)

#### Performance Data:

- Pressure: 20 - 125 psi [1.38 - 8.62 bar]
- Temperature: 40 °F - 140 °F [4.44 °C - 60 °C]
- Flow Rate: 4.28 GPM [16.2 L/min] @ 60 psi [4.14 bar]

#### Optional Hose Reel Spray Valves

- B-0107 Spray Valve
- B-0108 Ergonomic Medium Flow Spray Valve
- B-0108-H Ergonomic High Flow Spray Valve
- EB-0107 High Flow Spray Valve (Standard)
- EB-2322 Extended Spray Wand
- MV-2516-24 Stainless Steel Rear Trigger Water Gun
- MV-2522-24 Stainless Steel Front Trigger Water Gun
- MV-3516-24 Aluminum Rear Trigger Water Gun

#### Optional Hose Reel Multi-Fit Brackets

##### 1/4", 3/8", & 1/2" Stainless Steel Hose Reel

- G019430-45 EasyInstall Stainless Steel Swing Bracket
- G016737-45 Stainless Steel Wall Swing Bracket
- G016652-45 Deck Mount Pivot Bracket
- G018477-45 Stainless Steel Table Leg Swing Bracket (Standard)



T&S BRASS AND BRONZE WORKS, INC.



• 2 Saddleback Cove • Travelers Rest, SC 29690  
 Ph 800-476-4103 • Fax 864-834-3518  
 • Simi Valley, CA • Ph 800-423-0150 • www.tsbrass.com

Date: 02/12/24