



**T&S BRASS AND BRONZE WORKS, INC.**  
 2 Saddleback Cove / P.O. Box 1088  
 Travelers Rest, SC 29690

Model No.  
**B-2444**

Item No.

Travelers Rest, SC: 800-476-4103 • Simi Valley, CA: 800-423-0150 • Fax: 864-834-3518 • www.tsbrass.com



**ADA Compliant**

This Space for Architect/Engineer Approval

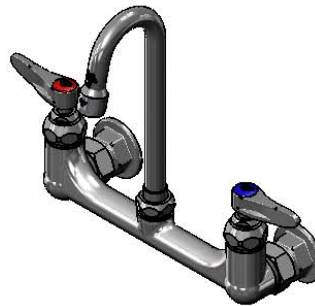
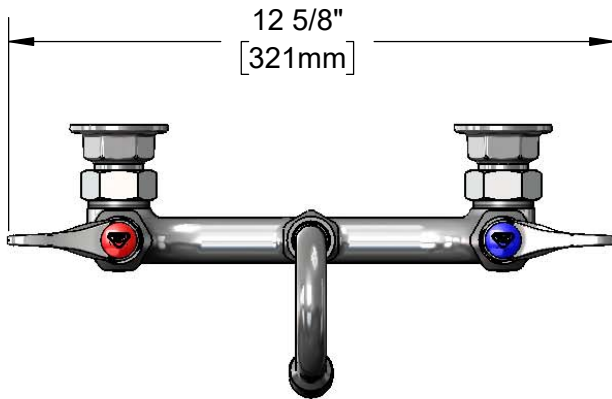
Job Name \_\_\_\_\_ Date \_\_\_\_\_

Model Specified \_\_\_\_\_ Quantity \_\_\_\_\_

Customer/Wholesaler \_\_\_\_\_

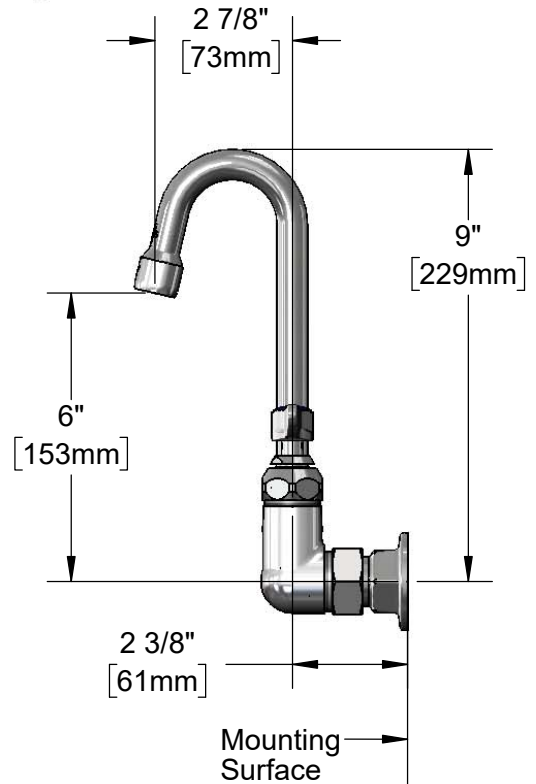
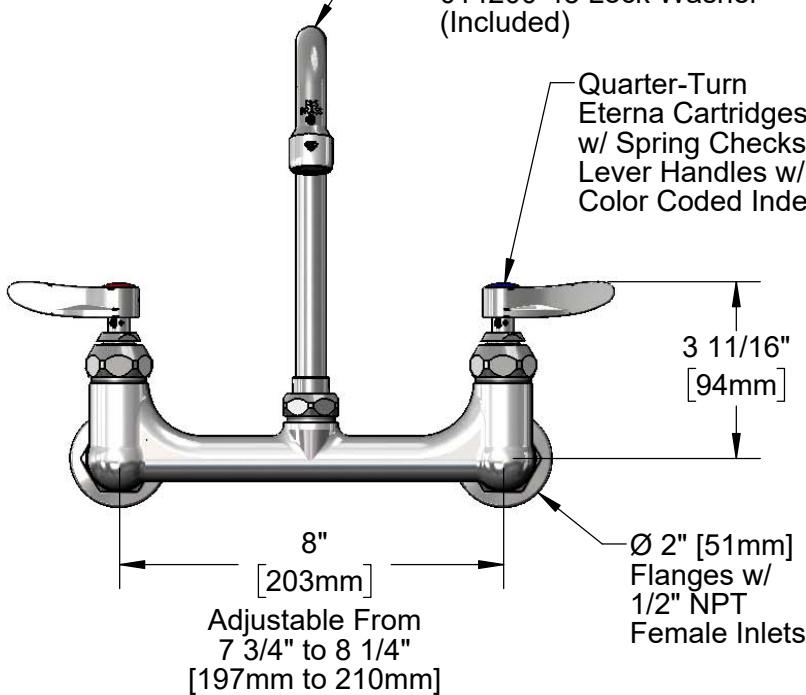
Contractor \_\_\_\_\_

Architect/Engineer \_\_\_\_\_



132X-A22  
 Swivel/Rigid Gooseneck  
 w/ 2.2 GPM Aerator.  
 Converts to Rigid w/  
 014200-45 Lock Washer  
 (Included)

Quarter-Turn  
 Eterna Cartridges  
 w/ Spring Checks &  
 Lever Handles w/  
 Color Coded Indexes



**Product Specifications:**

8" Wall Mount Mixing Faucet, Quarter-Turn Eterna Cartridges w/ Spring Checks, Lever Handles, 2 7/8" Swivel/Rigid Gooseneck w/ 2.2 GPM Aerator & 1/2" NPT Female Inlets

**Product Compliance:**

ASME A112.18.1 / CSA B125.1  
 NSF 61 - Section 9  
 NSF 372 (Low Lead Content)  
 ANSI A117.1 (ADA)



# T&S BRASS AND BRONZE WORKS, INC.

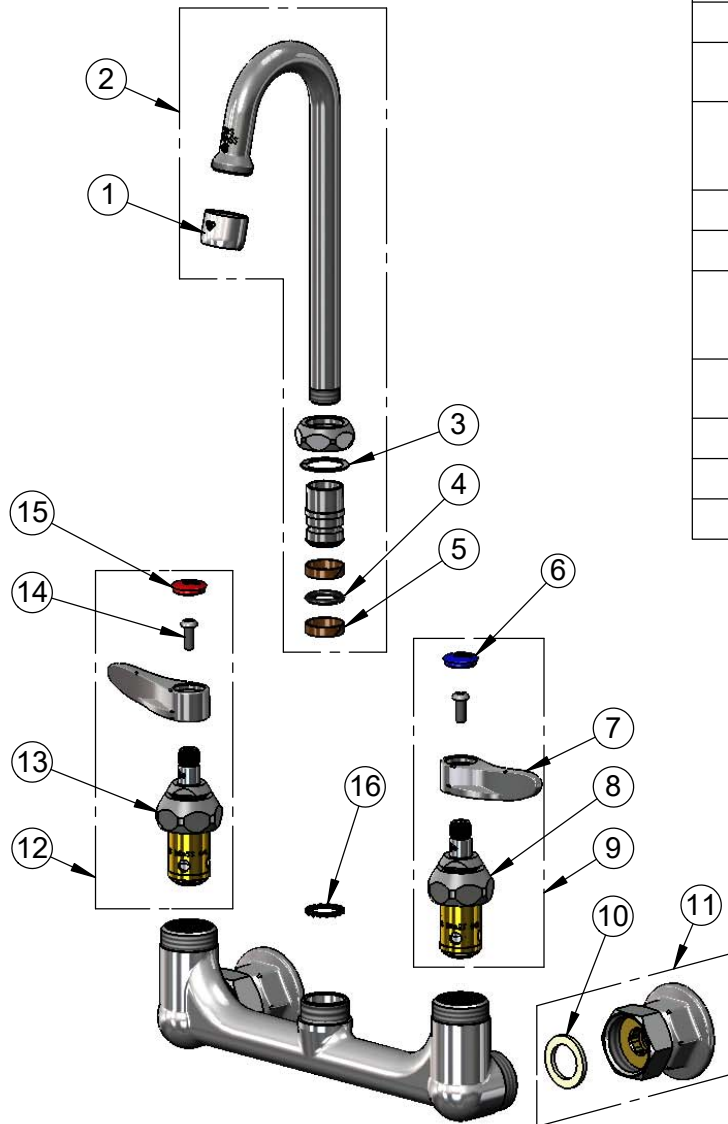
2 Saddleback Cove / P.O. Box 1088  
Travelers Rest, SC 29690

Model No.

**B-2444**

Item No.

Travelers Rest, SC: 800-476-4103 • Simi Valley, CA: 800-423-0150 • Fax: 864-834-3518 • www.tsbrass.com



ITEM NO.	SALES NO.	DESCRIPTION
1	B-0199-01	2.2 GPM Aerator, 55/64"-27 UN Female
2	132X-A22	2 7/8" Swivel/Rigid Gooseneck
3	009538-45	Swivel Washer
4	001074-45	O-Ring
5	011429-45	Swivel Sleeves (2)
6	018506-19NS	Blue Button Index, Press-in
7	001638-45NS	Lever Handle (New Style)
8	012442-40NS	Quarter-Turn Eterna Cartridge, LTC w/ Spring Check
9	002711-40NS	Quarter-Turn Eterna Cartridge, LTC w/ Spring Check, Handle, Blue Index & Screw
10	001019-45	Coupling Nut Washer
11	00AA	1/2" NPT Female Eccentric Flange
12	002712-40NS	Quarter-Turn Eterna Cartridge, RTC w/ Spring Check, Handle, Red Index & Screw
13	012443-40NS	Quarter-Turn Eterna Cartridge, RTC w/ Spring Check
14	000925-45	Lab Handle Screw
15	001193-19NS	Red Button Index, Press-in
16	014200-45	Star Washer, Anti-Rotation

**Product Specifications:**  
8" Wall Mount Mixing Faucet, Quarter-Turn Eterna Cartridges w/ Spring Checks, Lever Handles, 2 7/8" Swivel/Rigid Gooseneck w/ 2.2 GPM Aerator & 1/2" NPT Female Inlets

**Product Compliance:**  
ASME A112.18.1 / CSA B125.1  
NSF 61 - Section 9  
NSF 372 (Low Lead Content)  
ANSI A117.1 (ADA)