



**ADA Compliant**

*This Space for Architect/Engineer Approval*

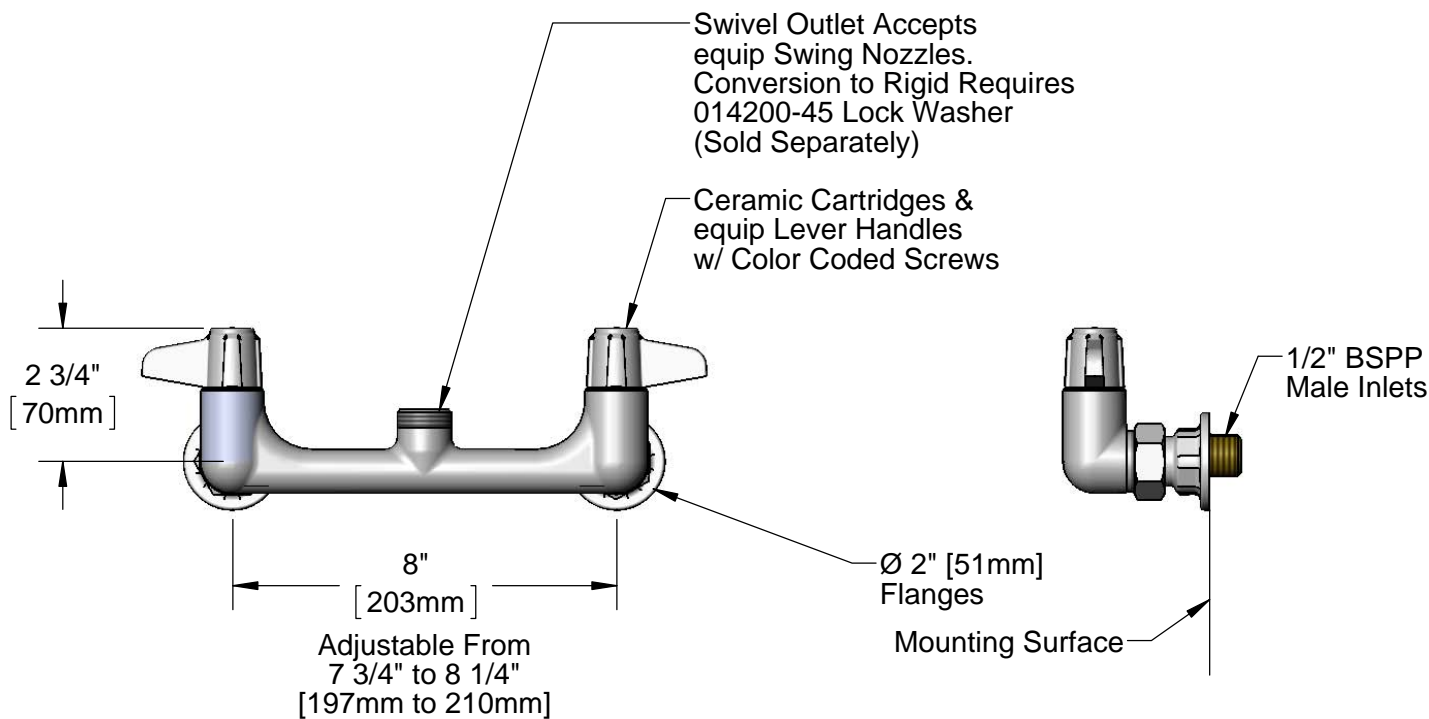
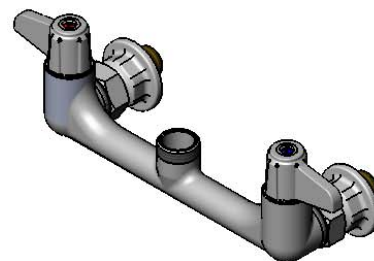
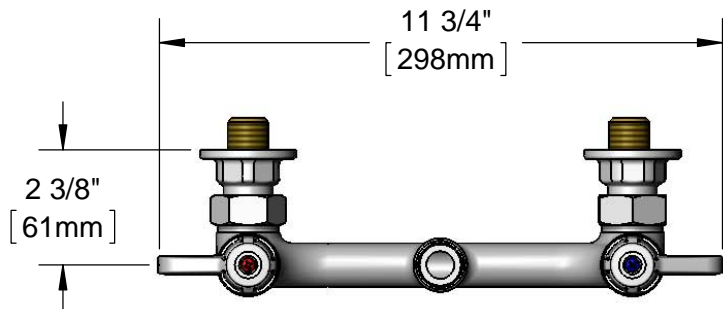
Job Name \_\_\_\_\_ Date \_\_\_\_\_

Model Specified \_\_\_\_\_ Quantity \_\_\_\_\_

Customer/Wholesaler \_\_\_\_\_

Contractor \_\_\_\_\_

Architect/Engineer \_\_\_\_\_



**Rough-In Requirement:**  
(2)  $\varnothing$  1" [25mm] Mounting Holes

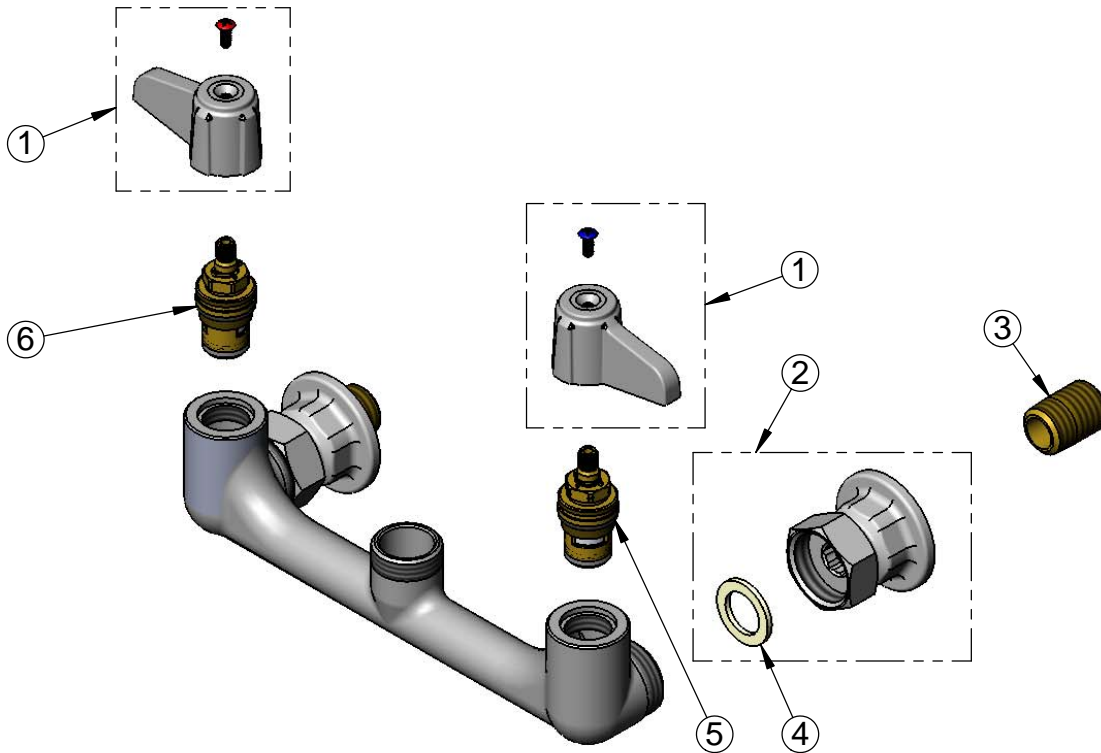
Model Number  
**5F-8WLB00**

Product Specifications:  
**8" Wall Mount Mixing Faucet, Ceramic Cartridges, equip Lever Handles & 1/2" BSPP Male Inlets, Less Nozzle**

Product Compliance:  
ASME A112.18.1 / CSA B125.1  
NSF 61 - Section 9  
NSF 372 (Low Lead Content)  
ANSI A117.1 (ADA)

equip Foodservice Accessories  2 Saddleback Cove, P.O. Box 1088  
Travelers Rest, South Carolina 29690  
Phone: 800.891.4808 Fax: 800.868.0084  
equip.tsbrass.com

ITEM NO.	SALES NO.	DESCRIPTION
1	5-HDL-L	equip Lever Handle w/ Color Coded Screws
2	00AA	1/2" NPT Female Eccentric Flange
3	019047-45	Supply Nipple, 1/2" NPT x 1/2" BSPP
4	001019-45	Coupling Nut Washer
5	013788-45	Equip Ceramic Cartridge, LTC
6	013787-45	Equip Ceramic Cartridge, RTC



Model Number

**5F-8WLB00**

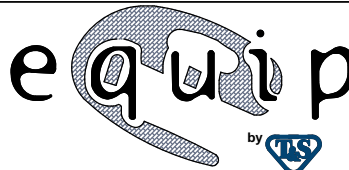
Product Specifications:

**8" Wall Mount Mixing Faucet, Ceramic Cartridges,  
equip Lever Handles & 1/2" BSPP Male Inlets, Less Nozzle**

Product Compliance:

ASME A112.18.1 / CSA B125.1  
NSF 61 - Section 9  
NSF 372 (Low Lead Content)  
ANSI A117.1 (ADA)

equip  
Foodservice  
Accessories



2 Saddleback Cove, P.O. Box 1088  
Travelers Rest, South Carolina 29690  
Phone: 800.891.4808 Fax: 800.868.0084  
equip.tsbrass.com

Drawn: KJG

Checked: JRM

Approved: JHB

Date: 06/23/15

Scale: NTS

Sheet: 2 of 2