



ADA Compliant

This Space for Architect/Engineer Approval

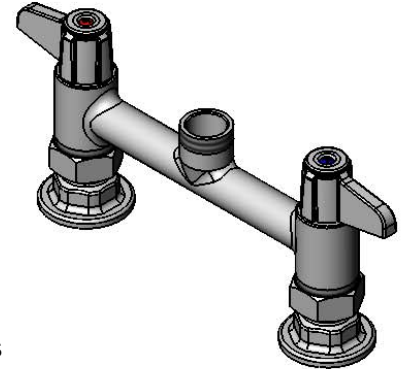
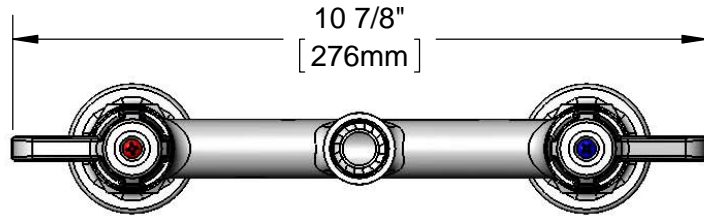
Job Name _____ Date _____

Model Specified _____ Quantity _____

Customer/Wholesaler _____

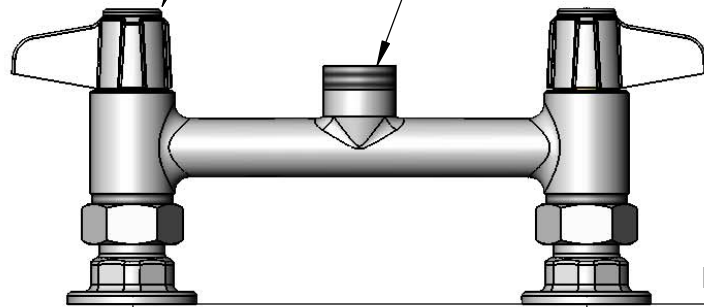
Contractor _____

Architect/Engineer _____



Ceramic Cartridges & equip Lever Handles w/ Color Coded Screws

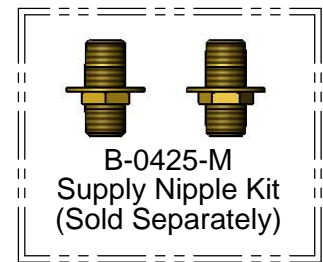
Swivel Outlet Accepts equip Swing Nozzle. Rigid Conversion Requires 014200-45 Lock Washer (Included)



Mounting Surface

7" [180mm]
Adjustable From 6 3/4" to 7 1/4" [171mm to 184mm]

Ø 2" [51mm] Flanges w/ 1/2" NPT Female Inlets



Model Number
5F-7DLX00

Date
06/05/12

Scale
1:3

Drawn
DHL

Checked
DMH

Approved
JHB

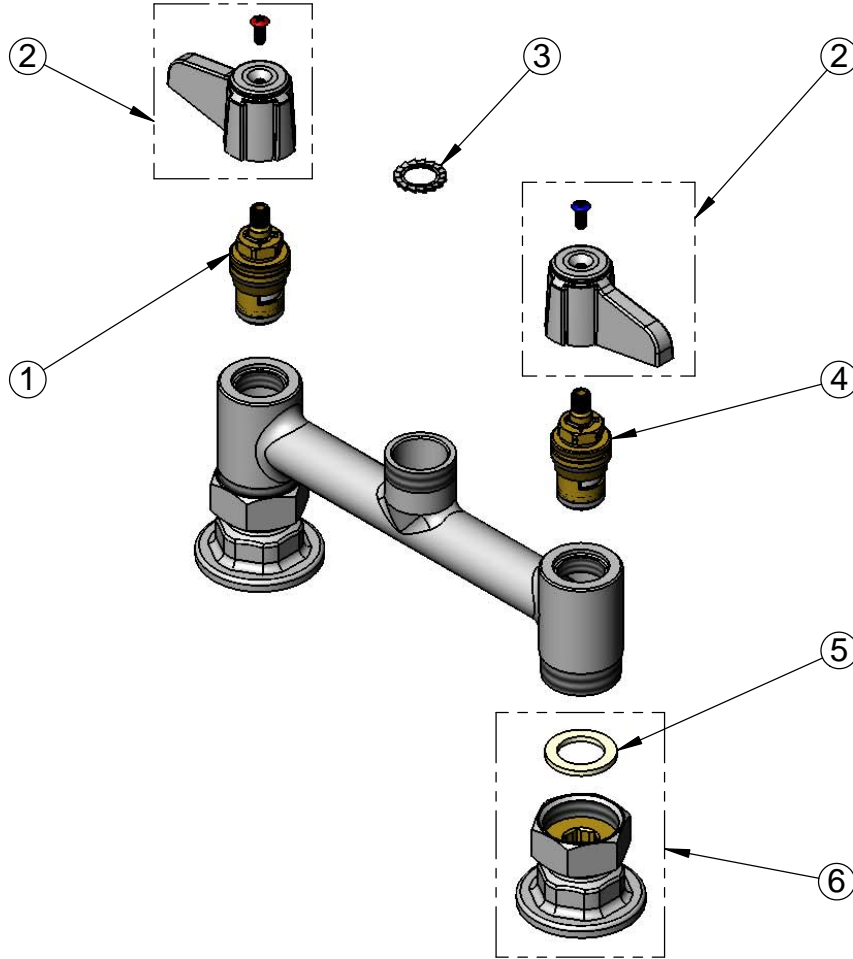
Product Specifications:

7" Deck Mount Mixing Faucet, Less Nozzle, Ceramic Cartridges, equip Lever Handles & 1/2" NPT Female Inlets



equip Foodservice Accessories
2 Saddleback Cove, P.O. Box 1088
Travelers Rest, South Carolina 29690
Phone: 800.891.4808 Fax: 800.868.0084

ITEM NO.	SALES NO.	DESCRIPTION
1	013787-45	equip Ceramic Cartridge, RTC
2	5-HDL-L	equip Lever Handle w/ Color Coded Screws
3	014200-45	Star Washer, Anti-Rotation
4	013788-45	equip Ceramic Cartridge, LTC
5	001019-45	Coupling Nut Washer
6	00AA	1/2" NPT Inlet Wall Flange



Model Number 5F-7DLX00	Date 06/05/12	Scale NTS	Drawn DHL	Checked DMH	Approved JHB
---------------------------	------------------	--------------	--------------	----------------	-----------------



Product Specifications:

**7" Deck Mount Mixing Faucet, Less Nozzle, Ceramic Cartridges,
equip Lever Handles & 1/2" NPT Female Inlets**

equip Foodservice Accessories
2 Saddleback Cove, P.O. Box 1088
Travelers Rest, South Carolina 29690
Phone: 800.891.4808 Fax: 800.868.0084