



# T&S BRASS AND BRONZE WORKS, INC.

2 Saddleback Cove / P.O. Box 1088  
Travelers Rest, SC 29690

Model No.

**B-2456-W-119X**

Item No.

Travelers Rest, SC: 800-476-4103 • Simi Valley, CA: 800-423-0150 • Fax: 864-834-3518 • www.tsbrass.com



This Space for Architect/Engineer Approval

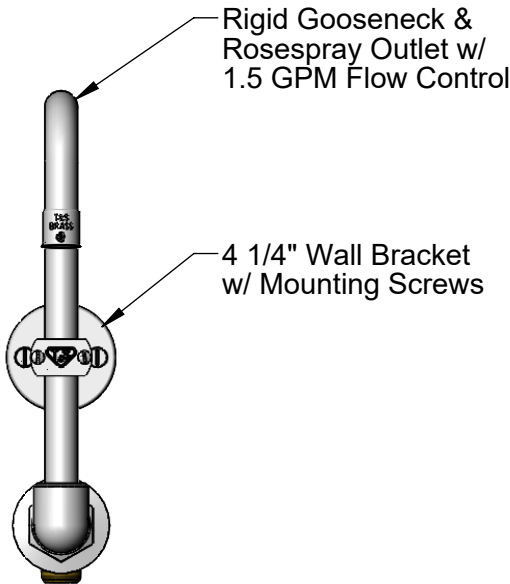
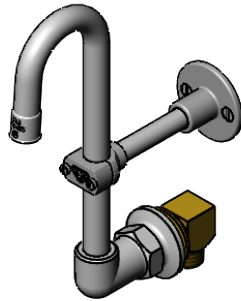
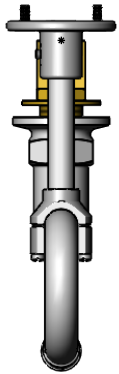
Job Name \_\_\_\_\_ Date \_\_\_\_\_

Model Specified \_\_\_\_\_ Quantity \_\_\_\_\_

Customer/Wholesaler \_\_\_\_\_

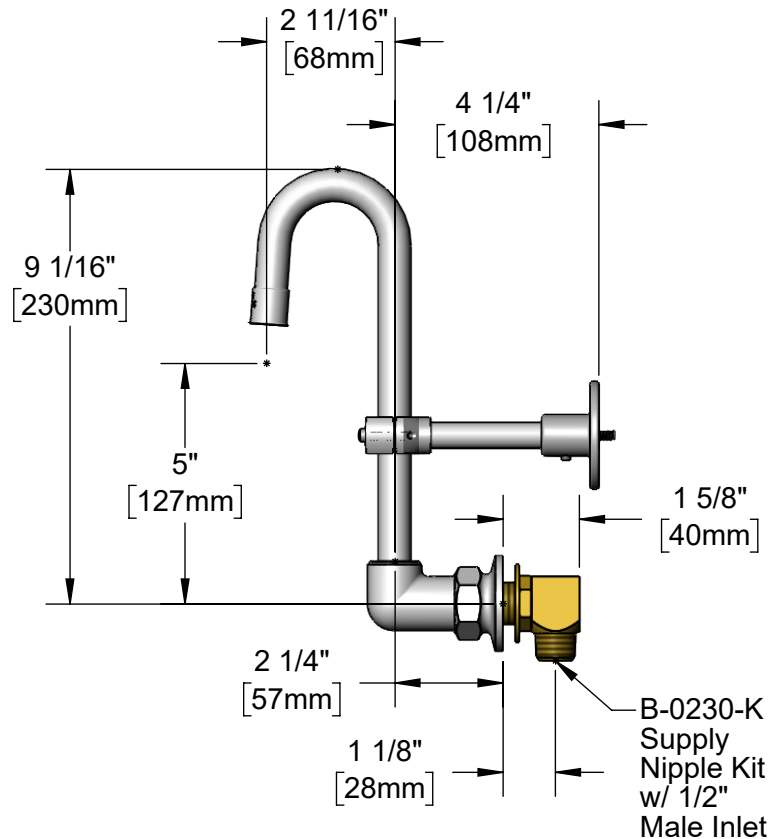
Contractor \_\_\_\_\_

Architect/Engineer \_\_\_\_\_



Rigid Gooseneck & Rosespray Outlet w/ 1.5 GPM Flow Control

4 1/4" Wall Bracket w/ Mounting Screws



Rough-In Requirement:  
Ø 1" [25mm] Mounting Hole

**Product Specifications:**

Wall Mount Rigid Elbow, 2 11/16" Rigid Gooseneck, Rosespray, 1.5 GPM Flow Control, Wall Bracket & Supply Nipple Kit w/ 1/2" NPT Male Inlet

**Product Compliance:**

ASME A112.18.1 / CSA B125.1  
NSF 61 - Section 9  
NSF 372 (Low Lead Content)  
EPA WaterSense



# T&S BRASS AND BRONZE WORKS, INC.

2 Saddleback Cove / P.O. Box 1088  
Travelers Rest, SC 29690

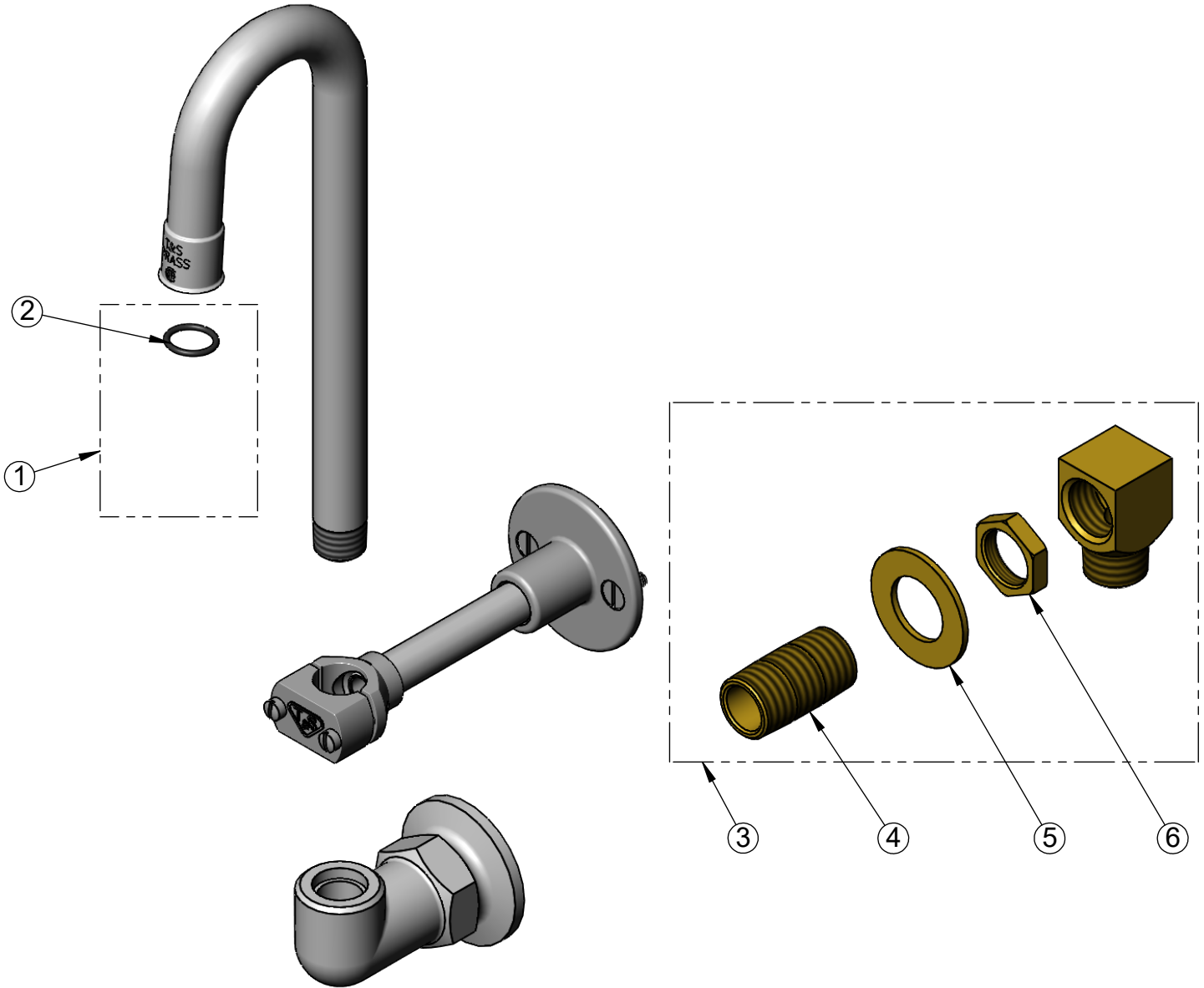
Model No.

**B-2456-W-119X**

Item No.

Travelers Rest, SC: 800-476-4103 • Simi Valley, CA: 800-423-0150 • Fax: 864-834-3518 • www.tsbrass.com

ITEM NO.	SALES NO.	DESCRIPTION
1	B-0103-FD15	Rosespray Outlet w/ 1.5 GPM Flow Control
2	006575-45	-015 O-Ring
3	B-0230-K	1/2" NPT Installation Kit
4	013357-20	1/2" NPT x 1-5/8" Close Nipple
5	000999-45	Brass Lock Washer
6	002954-45	Shank Lock Nut



**Product Specifications:**

Wall Mount Rigid Elbow, 2 11/16" Rigid Gooseneck, Rosespray, 1.5 GPM Flow Control, Wall Bracket & Supply Nipple Kit w/ 1/2" NPT Male Inlet

**Product Compliance:**

ASME A112.18.1 / CSA B125.1  
NSF 61 - Section 9  
NSF 372 (Low Lead Content)  
EPA WaterSense