



Architect/Engineering Specifications:

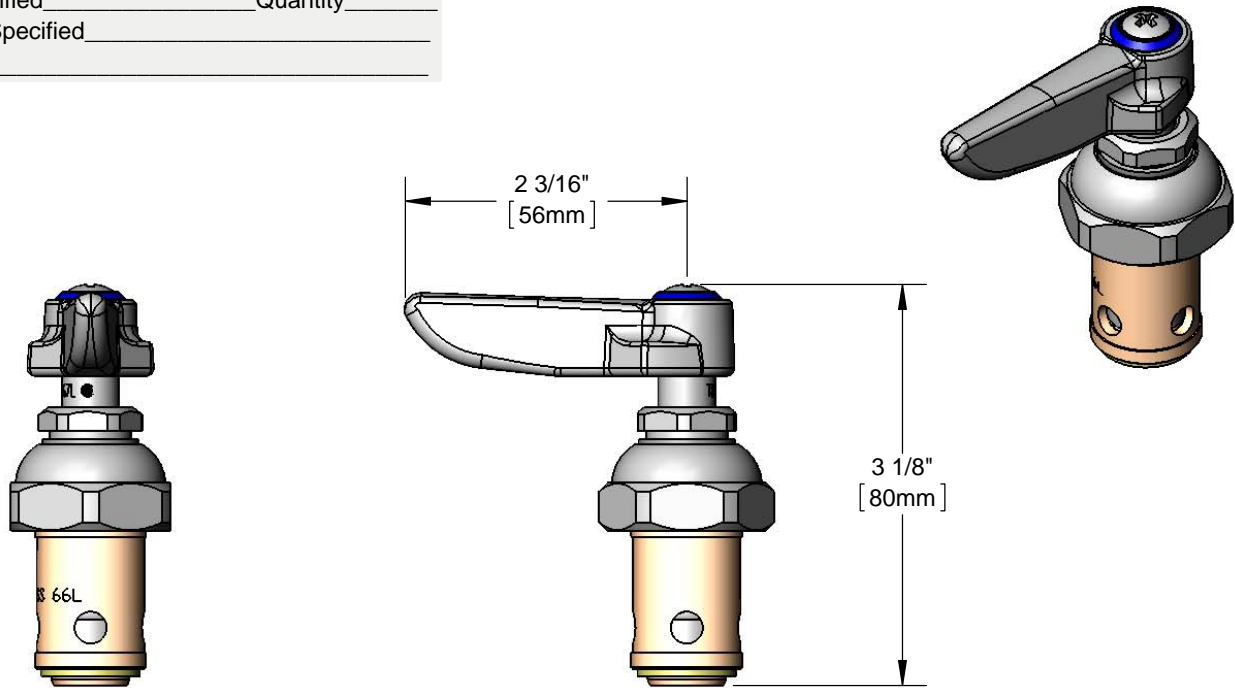
Eterna cartridge, LTC with lever handle, blue index and screw. Fits all T&S faucets. Certified to NSF 61-Section 9 and NSF 372. Meets ADA ANSI/ICC A117.1 requirements.

Job Name _____

Model Specified _____ Quantity _____

Variations Specified _____

Date _____



Features & Benefits:

- Eterna cartridge, LTC
- Lever handle
- Blue index and screw
- Fits all T&S faucets

Product Compliance:

- ASME A112.18.1 / CSA B125.1
- NSF 61 - Section 9
- NSF 372 (Low Lead Content)
- ANSI A117.1 (ADA)

Warranty: One Year (Limited)

Performance Data:

- Pressure: 20 - 125 psi
- Temperature: 40°F - 140°F
- Flow Rate: 18.77 GPM @ 60 psi



ADA Compliant

