



T&S BRASS AND BRONZE WORKS, INC.

2 Saddleback Cove / P.O. Box 1088
Travelers Rest, SC 29690

Model No.
EC-3102-SMT4V05

Item No.

Travelers Rest, SC: 800-476-4103 • Simi Valley, CA: 800-423-0150 • Fax: 864-834-3518 • www.tsbrass.com



ADA Compliant

This Space for Architect/Engineer Approval

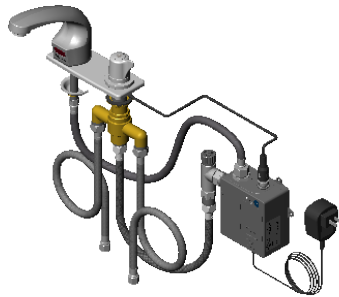
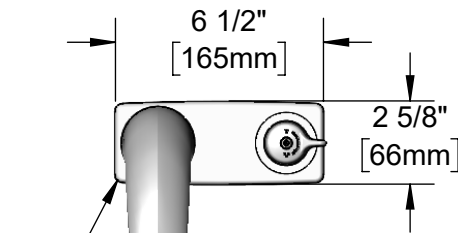
Job Name _____ Date _____

Model Specified _____ Quantity _____

Customer/Wholesaler _____

Contractor _____

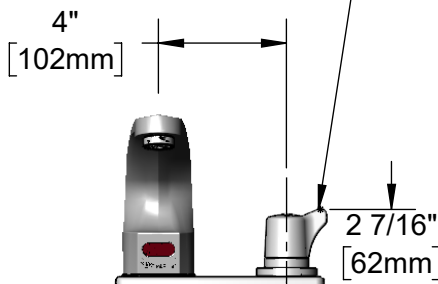
Architect/Engineer _____



Solid Cast Brass Spout w/
Polish Chrome Plated Finish
and 2.2 GPM [8.3 L/min] Vandal
Resistant Aerator

Chrome Plated
Die Cast Deck Plate

EC-SMT Above Deck Side
Mount Adjustable Thermostatic
Mixing Valve w/ Check Valves

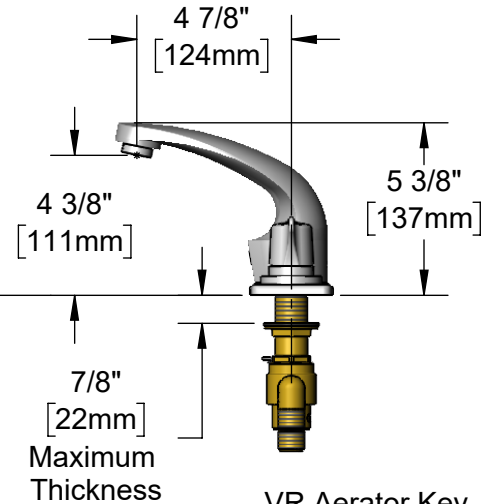


1/2" NPSM x 1/4" NPSM
18" [457mm] Flexible
Stainless Steel Hose

Removable
Strainer

24" [610mm]
Sensor Cable

4" x 4 3/8" x 2 3/16" Deep
[102mm x 111mm x 56mm]
Water Resistant Control Module Box
(Grey) w/ Internal Flow Control Setting
Switches, AC or DC Operated w/ (4) AA
Batteries. Hardwire Capable Using
Terminals on Back



Mounting
Surface

7/8"
[22mm]
Maximum
Thickness

100-240 VAC Adapter
w/ 72" [1830mm] Power
Cord

1/2" NPSM x 1/2" NPSM
16" [406mm] Flexible
Stainless Steel Hose

(2) 3/8" Compression x 1/2" NPSM
18" [457mm] Flexible Stainless Steel
Supply Hoses

VR Aerator Key
(Included)

VR Screw L-Key
(Included)

Shank Nut Wrench
(Included)

Rough-In Requirement:
(2) ϕ 1" [25mm] Mounting Holes

Product Specifications:

Chrome Plated Brass Electronic Faucet: Single Hole Deck Mount Spout w/ 0.5 GPM VR Non-Aerated Spray Device, 4" Centers Deck Plate, Above Deck Side Mount Adjustable Thermostatic Mixing Valve w/ Check Valves, AC/DC Control Module with Internal Flow Control Setting Switches, 18" Hot & Cold Supply Stop Flexible Connector Hoses

Product Compliance:

ASME A112.18.1 / CSA B125.1
NSF 61 - Section 9
NSF 372 (Low Lead Content)
ANSI A117.1 (ADA)
UL 1951
ASSE 1070 (TMV)

Drawn: JRM

Checked: JMD

Approved: JHB

Date: 10/30/23

Scale: 1:6

Sheet: 1 of 2



T&S BRASS AND BRONZE WORKS, INC.

2 Saddleback Cove / P.O. Box 1088
Travelers Rest, SC 29690

Model No.

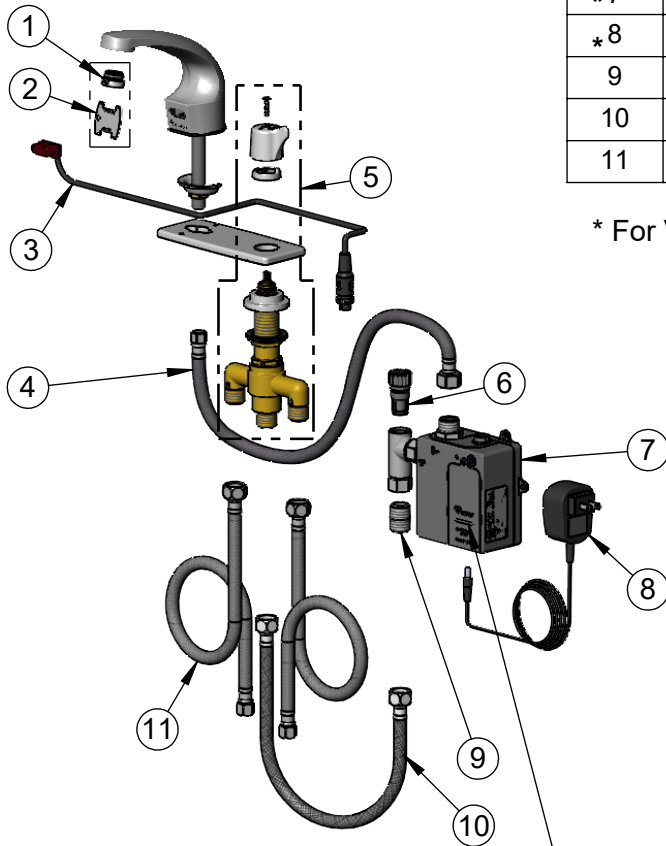
EC-3102-SMT4V05

Item No.

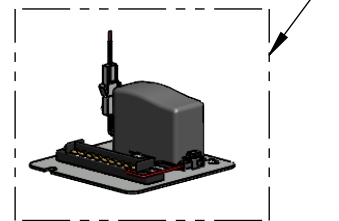
Travelers Rest, SC: 800-476-4103 • Simi Valley, CA: 800-423-0150 • Fax: 864-834-3518 • www.tsbrass.com

ITEM NO.	SALES NO.	DESCRIPTION
1	B-0199-08-N05	0.5 GPM VR Spray Device, 13/16-27 Male
2	015425-45	Vandal Resistant Key
*3	019174-45	Sensor Cable Assembly
4	016297-45	Inlet Hose, Faucet, 1/2" NPSM-F x 1/4" NPSM-F
5	EC-SMT	Above Deck Thermostatic Mixing Valve w/ Handle
6	EC-FILTER	Replacement Filter
*7	019944-45	ChekPoint Control Module w/ Filter Tee
*8	5EF-0002C	AC Adapter - US Plug
9	002534-25	Close Nipple, 1/2" NPT
10	016167-45	Supply Hose, 1/2" NPSM Female Ends
11	5EF-0005	Supply Hose, 9/16-24 Female x 1/2" NPSM

* For Versions Prior to 2021, Consult with T&S Customer Service



A Maximum of (8) ChekPoint Faucets can be Hardwire Connected and Powered by EC-HARDWIRE ChekPoint Hardwire AC Transformer. (Sold Separately)



Flow Control Switches are Located Behind Battery Compartment Cover.

- * Switches are Set to DEFAULT Position:
- Auto Time Out = 15 Seconds
 - Shut Off Delay = 1 Second
 - Auto Flush = OFF
 - Metering Mode = OFF

018543-45
VR Screw L-Key

*** Available Water Flow Control Selections:**

- Auto Time Out: 15 sec, 30 sec, 45 sec, 60 sec, 3 min, 20 min
- Shut Off Delay: 1 sec, 10 sec, 15 sec, 30 sec
- Auto Flush (30 Seconds After Every 12 Inactive Hours): ON or OFF
- Metering Mode: ON or OFF

Product Specifications:

Chrome Plated Brass Electronic Faucet: Single Hole Deck Mount Spout w/ 0.5 GPM VR Non-Aerated Spray Device, 4" Centers Deck Plate, Above Deck Side Mount Adjustable Thermostatic Mixing Valve w/ Check Valves, AC/DC Control Module with Internal Flow Control Setting Switches, 18" Hot & Cold Supply Stop Flexible Connector Hoses

Product Compliance:

ASME A112.18.1 / CSA B125.1
NSF 61 - Section 9
NSF 372 (Low Lead Content)
ANSI A117.1 (ADA)
UL 1951
ASSE 1070 (TMV)