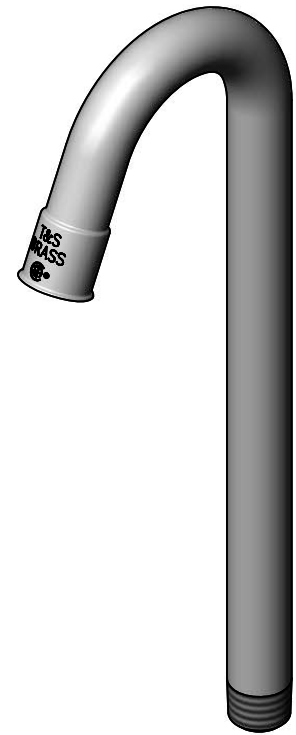
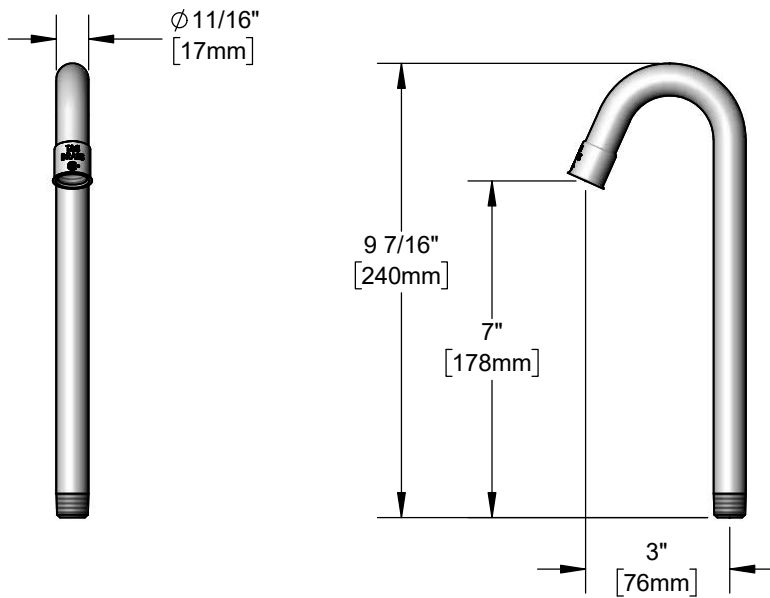




Architect/Engineering Specifications:

Rigid gooseneck less aerator, 3/8 NPT male inlet & 3/8-18 NPSM female outlet. Certified to NSF 61-Section 9 and NSF 372.

Job Name _____
 Model Specified _____ Quantity _____
 Variations Specified _____
 Date _____



Features & Benefits:

- Rigid gooseneck less aerator
- 3/8" NPT male inlet
- 3/8-18 NPSM female outlet
- Fits all T&S rigid outlet faucets
- Material: Chrome plated brass tubular spout

Product Compliance:

- NSF 61 - Section 9
- NSF 372 (Low Lead Content)

Warranty: One Year (Limited)

Performance Data:

- N/A

