



T&S BRASS AND BRONZE WORKS, INC.

2 Saddleback Cove / P.O. Box 1088
Travelers Rest, SC 29690

Model No.

B-5125-12-B

Item No.

Travelers Rest, SC: 800-476-4103 • Simi Valley, CA: 800-423-0150 • Fax: 864-834-3518 • www.tsbrass.com

This Space for Architect/Engineer Approval

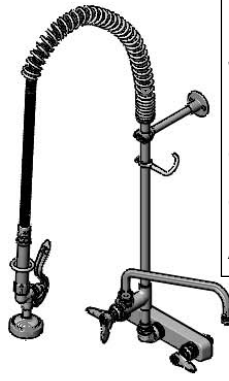
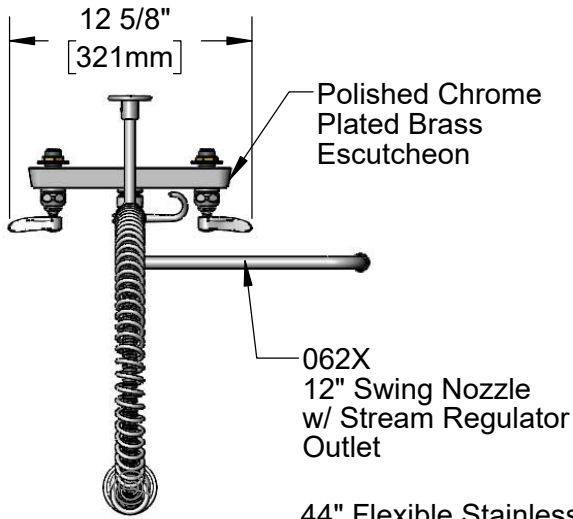
Job Name _____ Date _____

Model Specified _____ Quantity _____

Customer/Wholesaler _____

Contractor _____

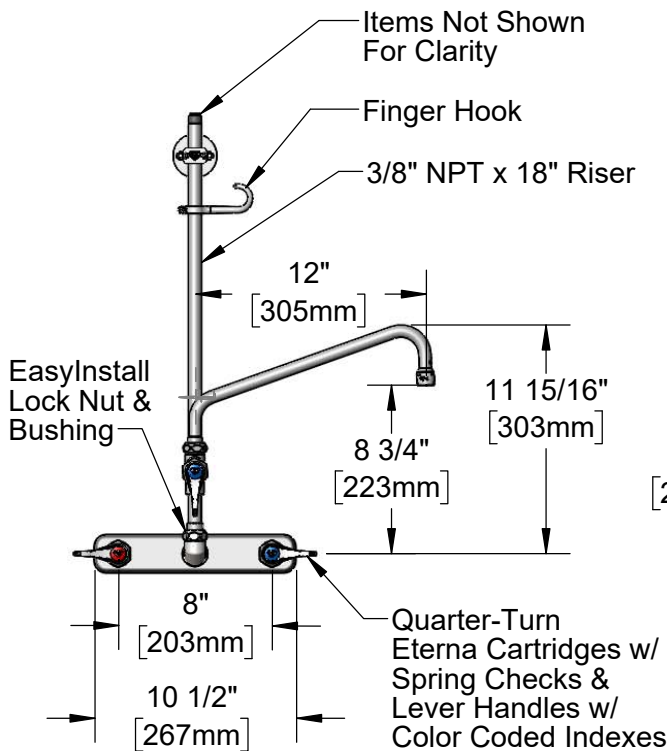
Architect/Engineer _____



Polished Chrome Plated Brass Escutcheon

062X 12" Swing Nozzle w/ Stream Regulator Outlet

44" Flexible Stainless Steel Hose w/ Spring & Spray Valve



EasyInstall Lock Nut & Bushing

Items Not Shown For Clarity

Finger Hook

3/8" NPT x 18" Riser

12" [305mm]

11 15/16" [303mm]

8 3/4" [223mm]

Quarter-Turn Eterna Cartridges w/ Spring Checks & Lever Handles w/ Color Coded Indexes

B-0107 1.15 GPM Spray Valve

7 7/8" [200mm]

14 1/16" [357mm]

1" [26mm]

1/4" [6mm]

Maximum Thickness

1/2" NPT Male Inlets

Mounting Surface

EasyInstall Add-On Faucet w/ Quarter-Turn Eterna Cartridge & Lever Handle

2 5/16" [59mm]

B-0109-01 6" Wall Bracket

37 7/16" [951mm]

Rough-In Requirement:
(2) ϕ 1" [25mm] Mounting Holes

Product Specifications:

Pre-Rinse Unit: EasyInstall 8" Wall Mount Workboard Faucet, Quarter-Turn Eterna Cartridges w/ Spring Checks, Lever Handles, Add-On Faucet, 12" Swing Nozzle, 44" Flexible Stainless Steel Hose, 1.15 GPM Spray Valve, 6" Wall Bracket & 1/2" NPT Male Inlets

Product Compliance:

ASME A112.18.1 / CSA B125.1
NSF 61 - Section 9
NSF 372 (Low Lead Content)
2019 DOE PRSV - Class II



T&S BRASS AND BRONZE WORKS, INC.

2 Saddleback Cove / P.O. Box 1088
Travelers Rest, SC 29690

Model No.

B-5125-12-B

Item No.

Travelers Rest, SC: 800-476-4103 • Simi Valley, CA: 800-423-0150 • Fax: 864-834-3518 • www.tsbrass.com

	ITEM NO.	SALES NO.	DESCRIPTION
	1	B-0107	1.15 GPM Spray Valve
	2	010476-45	#27 Washer
	3	000907-45	Spray Valve Hold Down Ring
	4	002987-40	Grip Handle
	5	001014-45	Washer, B-0100 Hose Barrel
	6	B-0044-H2A	44" Stainless Steel Flex Hose, Less Handle
	7	000888-45	EasyInstall Overhead Spring
	8	000821-40	Spring Body
	9	B-0109-01	6" Wall Bracket
	10	004R	Finger Hook
	11	000369-40	3/8" NPT x 18" Riser
	12	062X	12" Swing Nozzle w/ Stream Regulator Outlet
	13	B-0155-LNEZ	EasyInstall Add-On Faucet, Less Nozzle
	14	EZ-K	EasyInstall Kit: Nut, Bushing, O-ring & Lock Washer
	15	001065-45	O-Ring
	16	014200-45	Star Washer, Anti-Rotation
	17	000999-45	Brass Lock Washer
	18	002954-45	Shank Lock Nut
	19	019612-40	8" c/c Brass Escutcheon
	20	019376-40	Escutcheon Lock Nut
	21	012443-40NS	Quarter-Turn Eterna Cartridge, RTC w/ Spring Check
	22	001638-45NS	Lever Handle (New Style)
	23	000925-45	Lab Handle Screw
	24	018506-19NS	Blue Button Index, Press-in
	25	019639-40	Quarter-Turn Eterna Cartridge, RTC w/ Spring Check, Lever Handle, Blue Index & Screw
	26	012442-40NS	Quarter-Turn Eterna Cartridge, LTC w/ Spring Check
	27	019638-40	Quarter-Turn Eterna Cartridge, LTC w/ Spring Check, Lever Handle, Red Index & Screw
	28	001193-19NS	Red Button Index, Press-in
	29	B-PT	Full Flow Stream Regulator, 55/64-27
	30	001040-45	Washer, 3/4 ID x 15/16 OD x 1/8 thick
	31	000082-40	B-1100 Knob

Product Specifications:
 Pre-Rinse Unit: EasyInstall 8" Wall Mount Workboard Faucet, Quarter-Turn Eterna Cartridges w/ Spring Checks, Lever Handles, Add-On Faucet, 12" Swing Nozzle, 44" Flexible Stainless Steel Hose, 1.15 GPM Spray Valve, 6" Wall Bracket & 1/2" NPT Male Inlets

Product Compliance:
 ASME A112.18.1 / CSA B125.1
 NSF 61 - Section 9
 NSF 372 (Low Lead Content)
 2019 DOE PRSV - Class II