



T&S BRASS AND BRONZE WORKS, INC.
 2 Saddleback Cove / P.O. Box 1088
 Travelers Rest, SC 29690

Model No.
B-7222-C11

Item No.

Travelers Rest, SC: 800-476-4103 • Simi Valley, CA: 800-423-0150 • Fax: 864-834-3518 • www.tsbrass.com

This Space for Architect/Engineer Approval

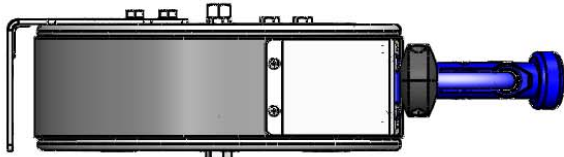
Job Name _____ Date _____

Model Specified _____ Quantity _____

Customer/Wholesaler _____

Contractor _____

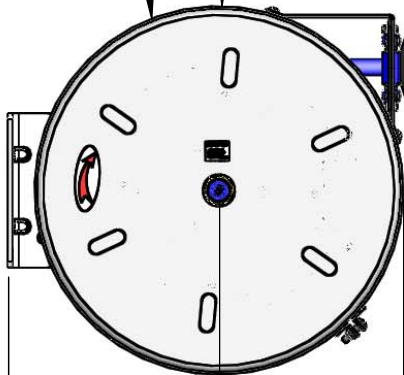
Architect/Engineer _____



3/8" NPT Female Inlet
 (Left Side of Reel)

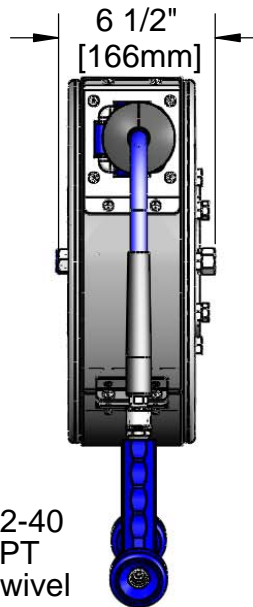
Enclosed Coated Hose Reel;
 30 Ft. of 3/8" Hose

Ø 15 3/8"
 [390mm]



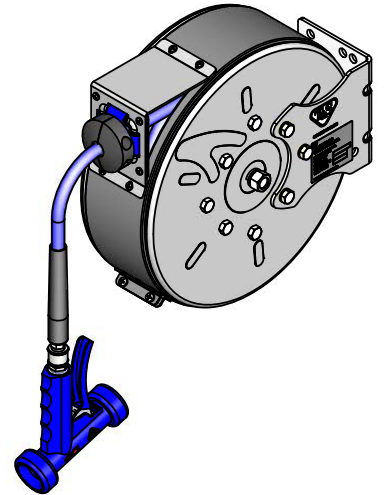
8 13/16"
 [224mm]

16 7/16"
 [418mm]

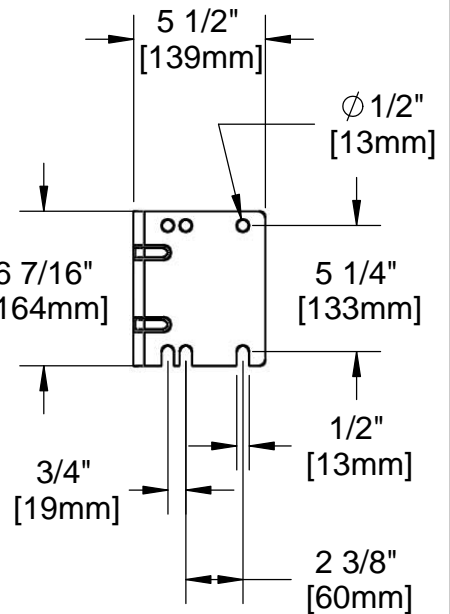


6 1/2"
 [166mm]

019652-40
 3/8" NPT
 Live Swivel



Mounting Hole Details



MV-3516-24 Rear Trigger Style Gun
 w/ Retractable Hold Down Clip,
 Aluminum Body and Royal
 Blue Rubber Cover.

Product Specifications:
 3/8" x 30 Ft. Enclosed Coated Reel MV-3516-24 Rear Trigger,
 5/16" Aluminum Spray Gun & Swivel

Product Compliance:
 NSF 61 Exempt (Non-Potable)
 EPA Act 2005 Non-Compliant (PRSV)



T&S BRASS AND BRONZE WORKS, INC.

2 Saddleback Cove / P.O. Box 1088
Travelers Rest, SC 29690

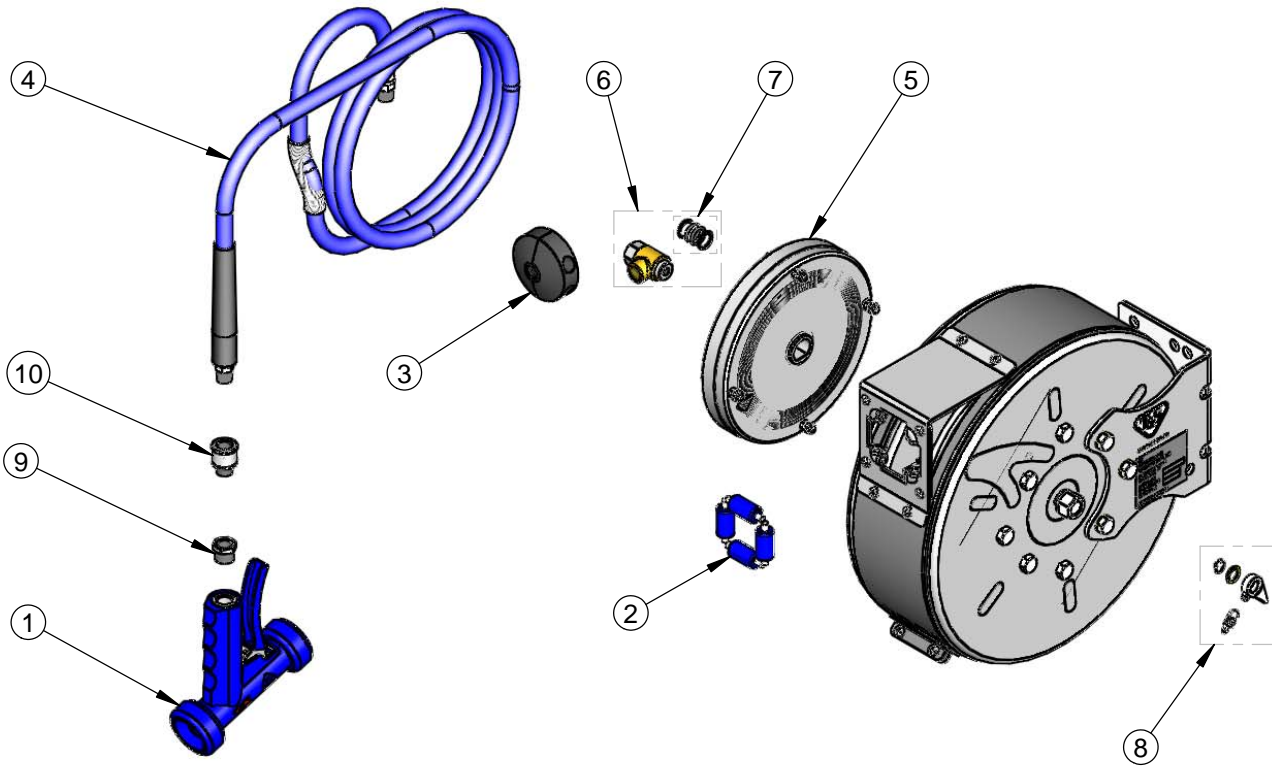
Model No.

B-7222-C11

Item No.

Travelers Rest, SC: 800-476-4103 • Simi Valley, CA: 800-423-0150 • Fax: 864-834-3518 • www.tsbrass.com

ITEM NO.	SALES NO.	DESCRIPTION
1	MV-3516-24	5/16" Orifice, Rear Trigger Aluminum Gun
2	014936-45	Roller Assembly Repair Kit
3	014949-45	Hose Stop Repair Kit
4	014943-45	3/8" x 30' Hose Replacement Kit
5	014932-45	Small Spring Assembly
6	014946-45	3/8" Swivel Repair Kit
7	014948-45	O-Ring Replacement Kit
8	014940-45	Ratchet Repair Kit
9	001359-40	1/2" NPT-M x 3/8" NPT-F Adapter
10	019652-40	3/8" NPT Live Swivel



Product Specifications:

3/8" x 30 Ft. Enclosed Coated Reel MV-3516-24 Rear Trigger,
5/16" Aluminum Spray Gun & Swivel

Product Compliance:

NSF 61 Exempt (Non-Potable)
EPA Act 2005 Non-Compliant (PRSV)