


ADA Compliant

This Space for Architect/Engineer Approval

Job Name _____ Date _____
 Model Specified _____ Quantity _____
 Customer/Wholesaler _____
 Contractor _____
 Architect/Engineer _____

5SP-05C-F15
 5 7/8" equip Swivel
 Gooseneck
 w/ 1.5 GPM Aerator.
 Rigid Conversion Requires
 014200-45 Lock Washer
 (Sold Separately)

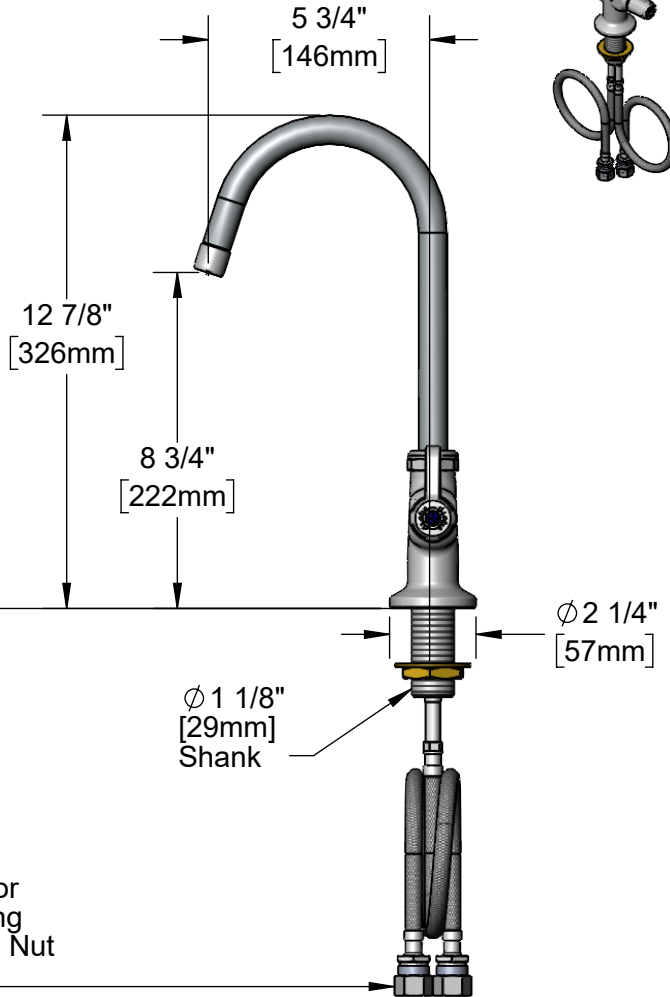
equip Quarter-Turn
 Ceramic Cartridges &
 equip Lever Handles w/
 Color Coded Screws

1 7/8"
 [48mm]
 Maximum
 Thickness

Mounting Surface

18" Flexible
 Stainless Steel
 Supply Hoses

Compression Fittings for
 5/8" O.D. Copper Tubing
 (Remove Compression Nut
 for 1/2" NPSM Male)



Rough-In Requirement:
 Ø 1 1/2" [38mm] Mounting Hole

Model Number
5F-2SLX05C-F15

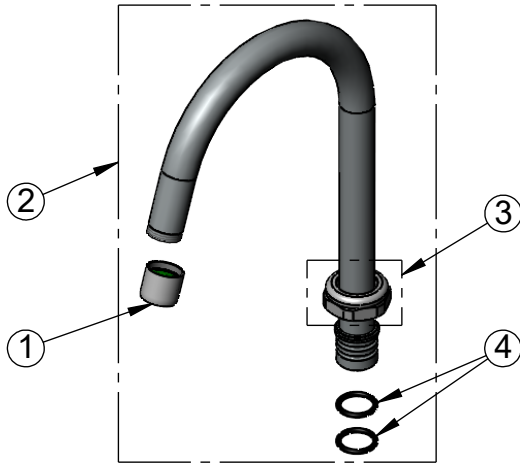
Product Compliance:
 ASME A112.18.1 / CSA B125.1
 NSF 61 - Section 9
 NSF 372 (Low Lead Content)
 ANSI A117.1 (ADA)

Product Specifications:
 Single Hole Deck Mount Mixing Faucet, equip Quarter-Turn Ceramic Cartridges, equip Lever Handles, 5 7/8" equip Swivel Gooseneck, 1.5 GPM Aerator & 18" Flexible Inlets

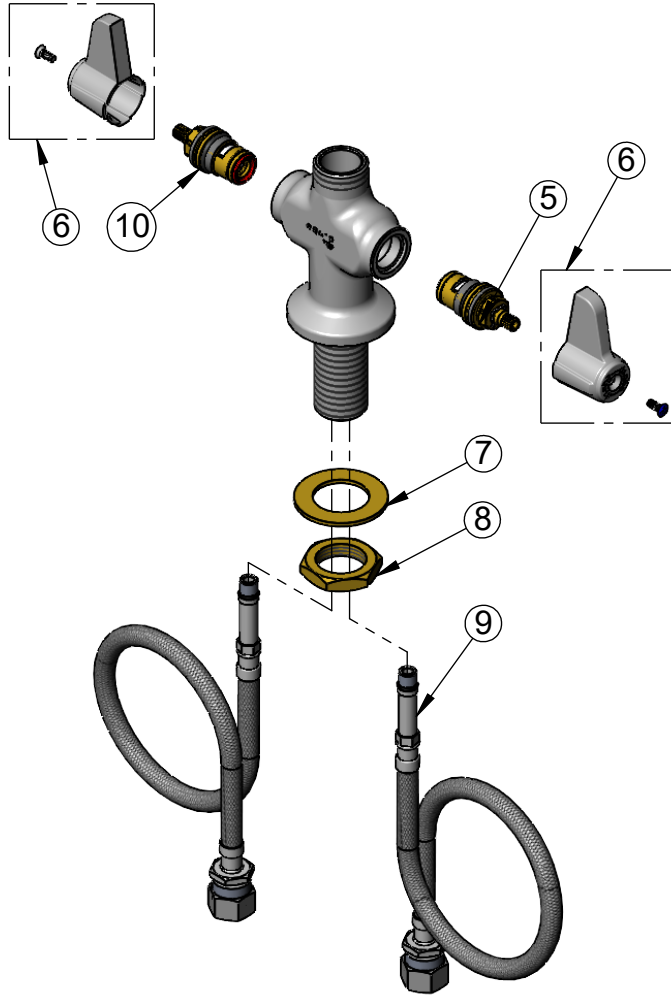
equip
 Foodservice
 Accessories



2 Saddleback Cove, P.O. Box 1088
 Travelers Rest, South Carolina 29690
 Phone: 800.891.4808 Fax: 800.868.0084
 equip.tsbrass.com



ITEM NO.	SALES NO.	DESCRIPTION
1	SP-F15	1.5 GPM Aerator, 3/4-27 UN Female
2	5SP-05C-F15	5 7/8" Swivel Gooseneck
3	013839-25	equip Swivel Nut
4	013848-45	O-Ring
5	013788-45	Ceramic Cartridge, LTC (Blue)
6	5-HDL-L	equip Lever Handle w/ Color Coded Screws
7	002290-45	Lock Washer
8	000965-45	Lock Nut
9	012534-45	18" Flexible Supply Hose (2)
10	013787-45	Ceramic Cartridge, RTC (Red)



Model Number

5F-2SLX05C-F15

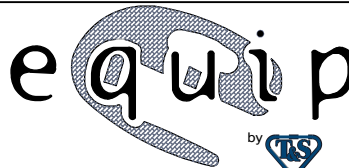
Product Specifications:

Single Hole Deck Mount Mixing Faucet, equip Quarter-Turn Ceramic Cartridges, equip Lever Handles, 5 7/8" equip Swivel Gooseneck, 1.5 GPM Aerator & 18" Flexible Inlets

Product Compliance:

ASME A112.18.1 / CSA B125.1
NSF 61 - Section 9
NSF 372 (Low Lead Content)
ANSI A117.1 (ADA)

equip
Foodservice
Accessories



2 Saddleback Cove, P.O. Box 1088
Travelers Rest, South Carolina 29690
Phone: 800.891.4808 Fax: 800.868.0084
equip.tsbrass.com