



T&S BRASS AND BRONZE WORKS, INC.
 2 Saddleback Cove / P.O. Box 1088
 Travelers Rest, SC 29690

Model No.
HG-4-SK-FF Series

Item No.

Travelers Rest, SC: 800-476-4103 • Simi Valley, CA: 800-423-0150 • Fax: 864-834-3518 • www.tsbrass.com

This Space for Architect/Engineer Approval

Job Name _____ Date _____

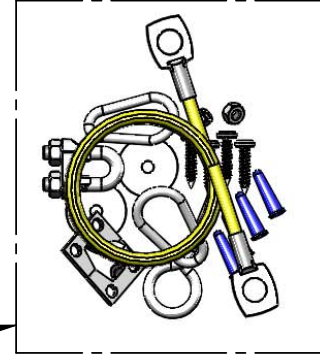
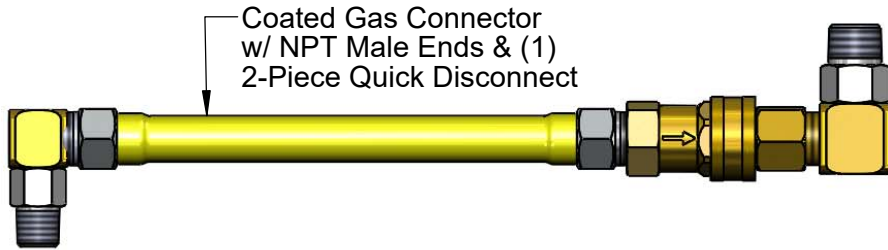
Model Specified _____ Quantity _____

Customer/Wholesaler _____

Contractor _____

Architect/Engineer _____

SAFE-T-LINK



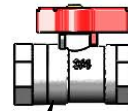
AG-RC Restraining Cable Kit

90° Gas Elbows

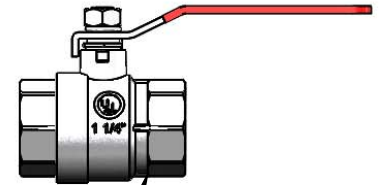


Short Nipples

1/2", 3/4" & 1" Ball Valve



1 1/4" Ball Valve



"L" = Length	1/2" NPT
48"	HG-4C-48SK-FF

"L" = Length	3/4" NPT
36"	HG-4D-36SK-FF
72"	HG-4D-72SK-FF

"L" = Length	1" NPT
36"	HG-4E-36SK-FF
48"	HG-4E-48SK-FF

"L" = Length	1 1/4" NPT
36"	HG-4F-36SK-FF
48"	HG-4F-48SK-FF

HG-4-SK Series Product Configurator: HG - 4 - SK - FF

Ex: HG - 4 - SK

Gas Hose, 3/4" NPT Male Ends, 36" Length, (1) 2-Piece Quick Disconnect, (1) 90° Gas Elbow, (1) Short Nipple, (2) Swivel Links, (1) Restraining Cable Kit

Product Specifications:

Safe-T-Link Gas Appliance Connector: Coated Hose w/ NPT Male Ends, Swivel Links, 2-Piece Quick Disconnect, (2) 90° Gas Elbows, (2) Short Nipples, Ball Valve & Restraining Cable Kit

Product Compliance:

ANSI Z21.69 / CSA 6.16
 NSF 2
 NFPA 54