



T&S BRASS AND BRONZE WORKS, INC.
 2 Saddleback Cove / P.O. Box 1088
 Travelers Rest, SC 29690

Model No.
B-7232-01-ESB48

Item No.

Travelers Rest, SC: 800-476-4103 • Simi Valley, CA: 800-423-0150 • Fax: 864-834-3518 • www.tsbrass.com

This Space for Architect/Engineer Approval

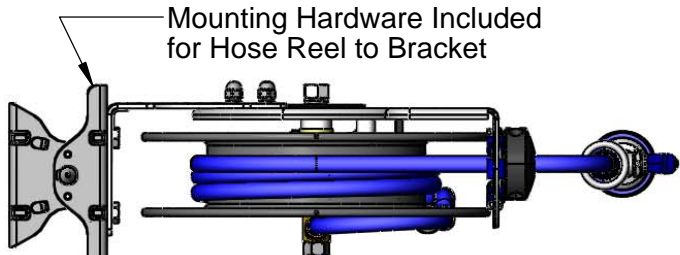
Job Name _____ Date _____

Model Specified _____ Quantity _____

Customer/Wholesaler _____

Contractor _____

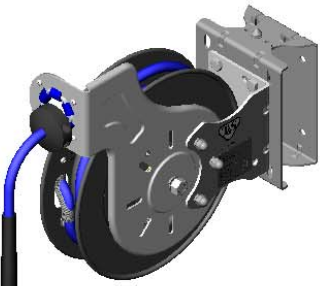
Architect/Engineer _____



Mounting Hardware Included for Hose Reel to Bracket

3/8" NPT Female Inlet (Left Side of Reel)
 Universal EasyInstall Stainless Steel Wall Mount Swing Bracket w/ 100° of Rotation

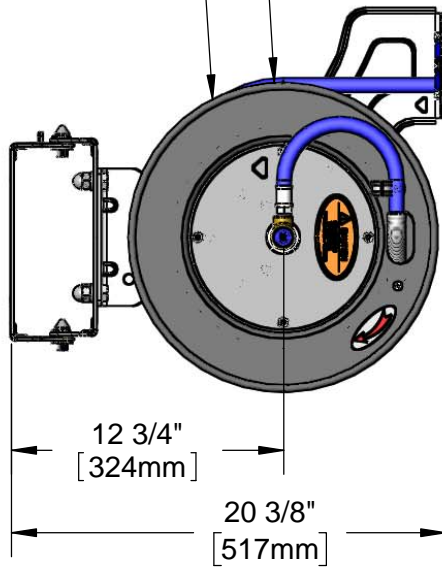
HW-2B-48
 3/8" NPT x 48" Flexible Water Connector



Epoxy Coated Open Hose Reel w/ 35' of 3/8" Hose

Ø 14 1/2" [368mm]

7 1/8" [181mm]



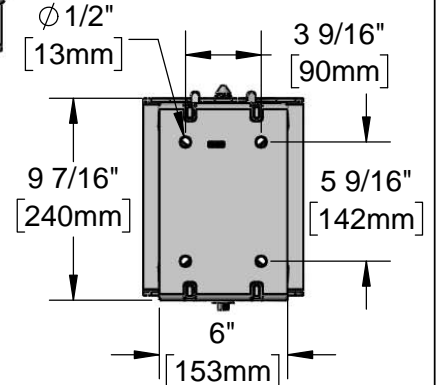
12 3/4" [324mm]

20 3/8" [517mm]

019652-40
 3/8" NPT Live Swivel

EB-0107
 High Flow Spray Valve (Blue)

Mounting Hole Details



Ø 1/2" [13mm]

3 9/16" [90mm]

9 7/16" [240mm]

5 9/16" [142mm]

6" [153mm]

Product Specifications:

3/8" x 35' Epoxy Coated Open Reel, High Flow Spray Valve & Swivel, 3/8" NPT x 48" Flexible Water Connector & 100 Degree EasyInstall Stainless Steel Swing Bracket w/ Reel-to-Bracket Mounting Hardware

Product Compliance:

NSF 61 Exempt (Non-Potable)
 EPAAct 2005 Non-Compliant (PRSV)



T&S BRASS AND BRONZE WORKS, INC.

2 Saddleback Cove / P.O. Box 1088
Travelers Rest, SC 29690

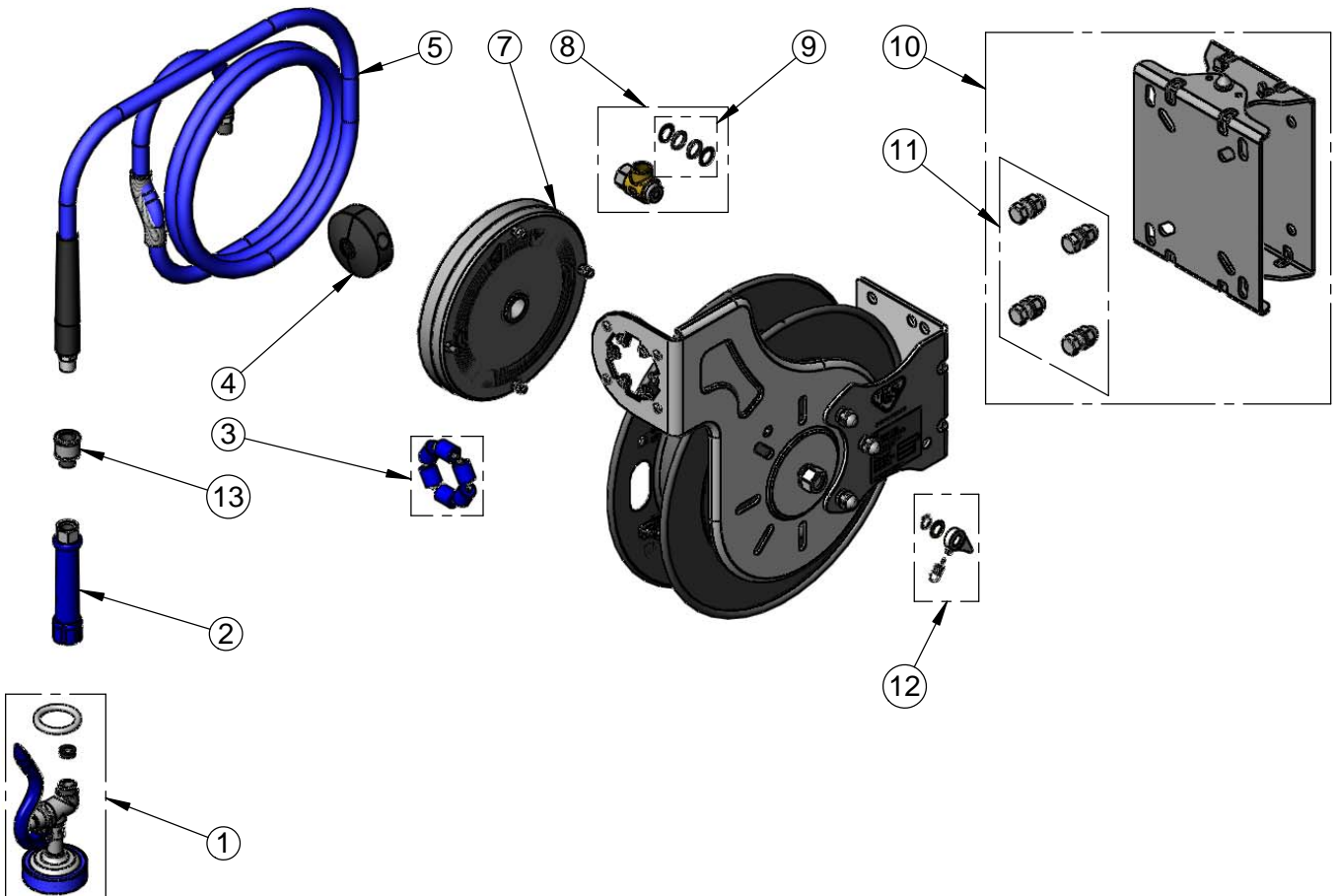
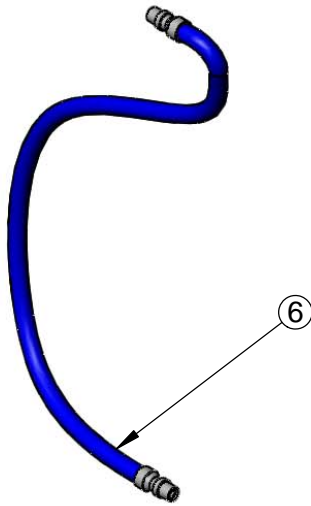
Model No.

B-7232-01-ESB48

Item No.

Travelers Rest, SC: 800-476-4103 • Simi Valley, CA: 800-423-0150 • Fax: 864-834-3518 • www.tsbrass.com

ITEM NO.	SALES NO.	DESCRIPTION
1	EB-0107	High Flow Spray Valve (Blue)
2	012504-45	Blue Grip Handle, 3/8" NPT
3	014938-45	Roller Repair Kit
4	014949-45	3/8" Hose Rubber Stop
5	014941-45	35' x 3/8" Hose
6	HW-2B-48	3/8" NPT x 48" Flexible Water Hose
7	014933-45	Small Stainless Steel Spring
8	014946-45	3/8" Swivel Repair Kit
9	014948-45	O-Ring Replacement Kit
10	G019430-45	Universal EasyInstall Stainless Steel Swing Bracket
11	019191-45K	Hose Reel Bracket Mounting Kit
12	014940-45	Ratchet Repair Kit
13	019652-40	3/8" NPT Live Swivel



Product Specifications:

3/8" x 35' Epoxy Coated Open Reel, High Flow Spray Valve & Swivel,
3/8" NPT x 48" Flexible Water Connector & 100 Degree EasyInstall Stainless
Steel Swing Bracket w/ Reel-to-Bracket Mounting Hardware

Product Compliance:

NSF 61 Exempt (Non-Potable)
EPA Act 2005 Non-Compliant (PRSV)