



**Electronic Faucets**  
**EC-3100-XP-LF10**

TAG:

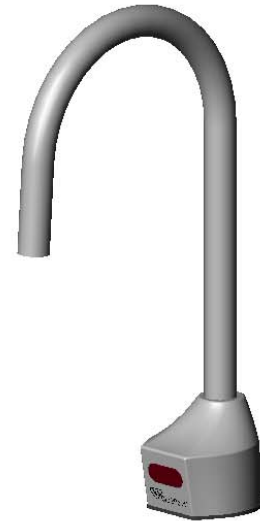
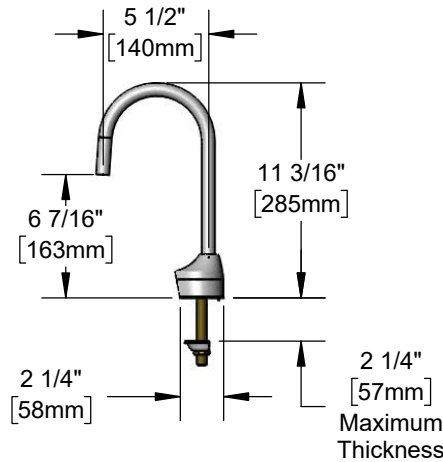
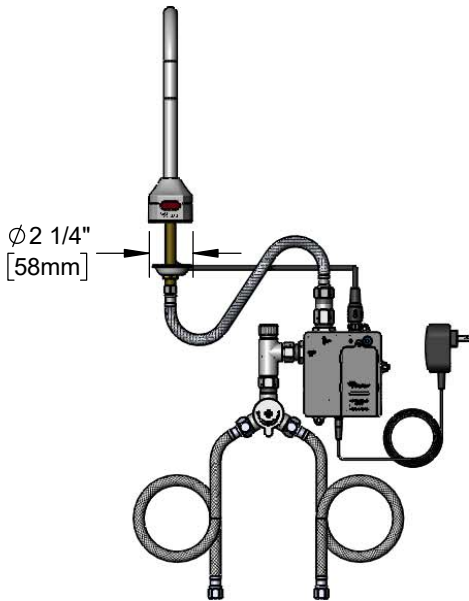


**ChekPoint™ Electronic Sensor Faucet**

**Architect/Engineering Specifications:**

Single hole deck mount electronic sensor faucet with polished chrome plated brass body, 5 1/2" rigid gooseneck with plain end, 1.0 GPM flow control check valve, AC/DC control module with internal flow control setting switches, temperature control mixing valve with integral check valves and 18" flexible stainless steel supply hoses with 3/8" compression connections. Certified to ASME A112.18.1/CSA B125.1, NSF 61-Section 9, NSF 372, WaterSense and UL 1951. Meets ADA ANSI/ICC A117.1 requirements.

Job Name \_\_\_\_\_  
 Model Specified \_\_\_\_\_ Quantity \_\_\_\_\_  
 Variations Specified \_\_\_\_\_  
 Date \_\_\_\_\_



**Features & Benefits:**

- Single hole deck mount w/ polished chrome plated brass body
- 5 1/2" rigid gooseneck
- 1.0 GPM flow control check valve assembly
- Water resistant control module w/ internal flow control switches for adjusting auto time out & shut off delay settings
- Optional auto flush feature flows water for 30 seconds after every 12 inactive hours
- Optional metering mode
- Plug in AC transformer or (4) AA batteries (DC) power options
- Mechanical temperature mixing valve w/ integral check valves
- 18" flexible stainless steel supply hoses w/ 3/8" compression connections
- Low battery LED indicator light
- Material: Polished chrome plated brass body & gooseneck

**Optional Deck Plates**

- 4" Chrome Plated Brass Deck Plate
- 8" Chrome Plated Brass Deck Plate

**Product Compliance:**

- ASME A112.18.1 / CSA B125.1
- NSF 61 - Section 9
- NSF 372 (Low Lead Content)
- ANSI A117.1 (ADA)
- UL 1951
- EPA WaterSense

**Warranty:** Three Year (Limited)

**Performance Data:**

- Pressure: 20 - 125 psi [1.38 - 8.62 bar]
- Temperature: 40°F - 140°F [4.44°C - 60°C]
- Flow Rate: 1.0 GPM [3.8 L/min] @ 60 psi [4.14 bar]
- Water Consumption: @10 sec = .16 gal [.63 L]  
@15 sec = .25 gal [.95 L]



**T&S BRASS AND BRONZE WORKS, INC.**



• 2 Saddleback Cove • Travelers Rest, SC 29690  
 Ph 800-476-4103 • Fax 864-834-3518  
 • Simi Valley, CA • Ph 800-423-0150 • www.tsbrass.com

Date: 04/05/22