



Architect/Engineering Specifications:

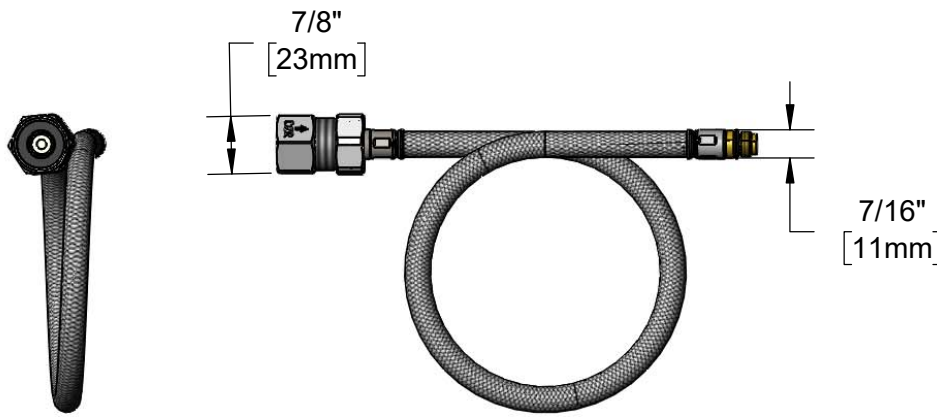
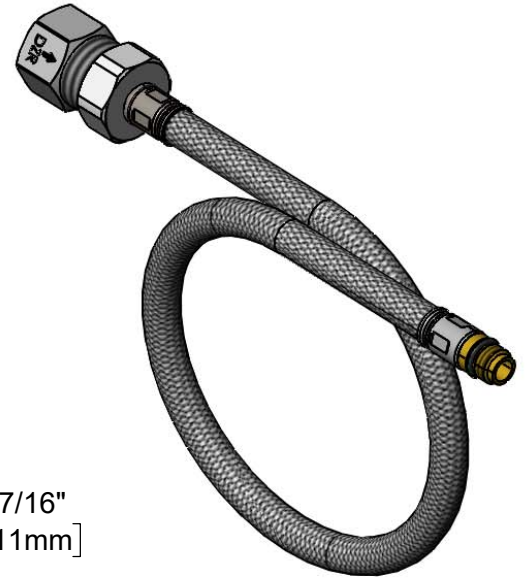
Flexible stainless steel braided supply hose with 1/2" NPSM female X M10 x 1 male fittings. Certified to ASME A112.18.6 / CSA B125.6, NSF 61-Section 9 and NSF 372. WRAS Approved Product (UK).

Job Name \_\_\_\_\_

Model Specified \_\_\_\_\_ Quantity \_\_\_\_\_

Variations Specified \_\_\_\_\_

Date \_\_\_\_\_



Features & Benefits:

- 19 11/16" [500mm] flexible stainless steel supply hose
- M10 x 1g male threads outlet
- 1/2" NPSM female thread inlet
- Hose fits all SP single hole deck mount mixing faucets
- Material: Stainless steel outer braid, Dezincification resistant brass fittings

Product Compliance:

- ASME A112.18.6 / CSA B125.6
- NSF 61 - Section 9
- NSF 372 (Low Lead Content)
- WRAS Approved Product (UK)
- Singapore PUB Compliant
- Dezincification Resistant



Warranty: One Year (Limited)

Performance Data:

- Max. Operating Temp: 158 °F [70 °C]
- Max. Temp: 194 °F [90 °C]
- Max. Working Pressure: 145 psi [10 bar]
- Burst Pressure: >2176 psi [>150 bar]
- Tensile Strength: >314 Lb [>1400 N]
- Flow Rate @ 43 psi [3 bar]: 7.4 GPM [28 L/min]

