



ADA Compliant

This Space for Architect/Engineer Approval

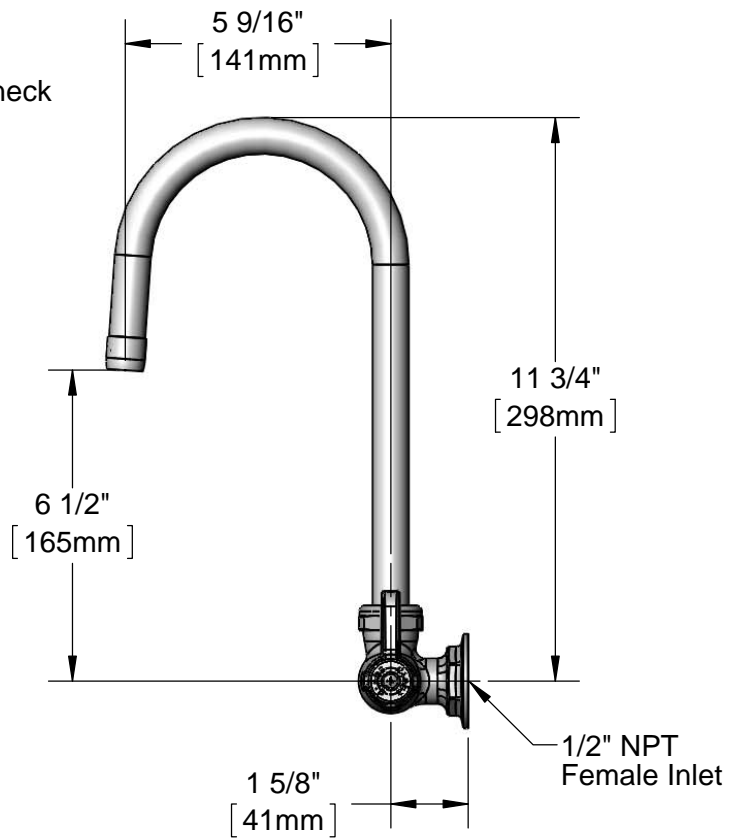
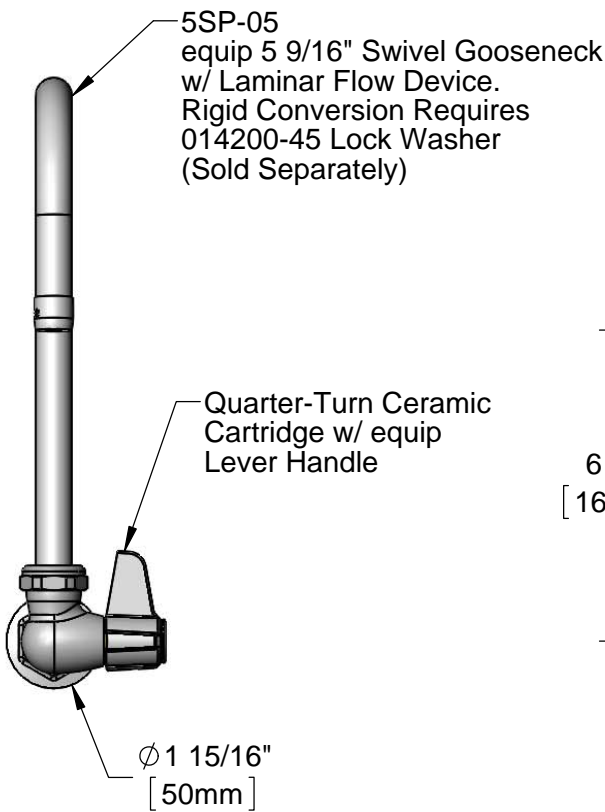
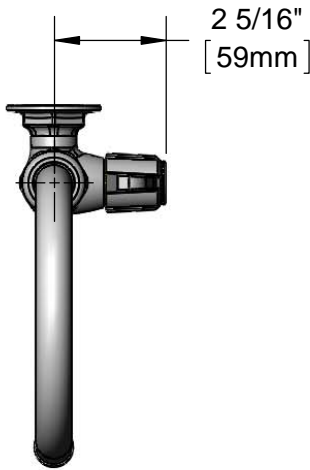
Job Name _____ Date _____

Model Specified _____ Quantity _____

Customer/Wholesaler _____

Contractor _____

Architect/Engineer _____



Model Number
5F-1WLX05

Product Compliance:
ASME A112.18.1 / CSA B125.1
NSF 61 - Section 9
NSF 372 (Low Lead Content)
ANSI A117.1 (ADA)

Product Specifications:
Single Supply Wall Mount Faucet w/ Quarter-Turn Ceramic Cartridge, Lever Handle, 5 9/16" Swivel Gooseneck w/ Laminar Flow Device & 1/2" NPT Female Inlet

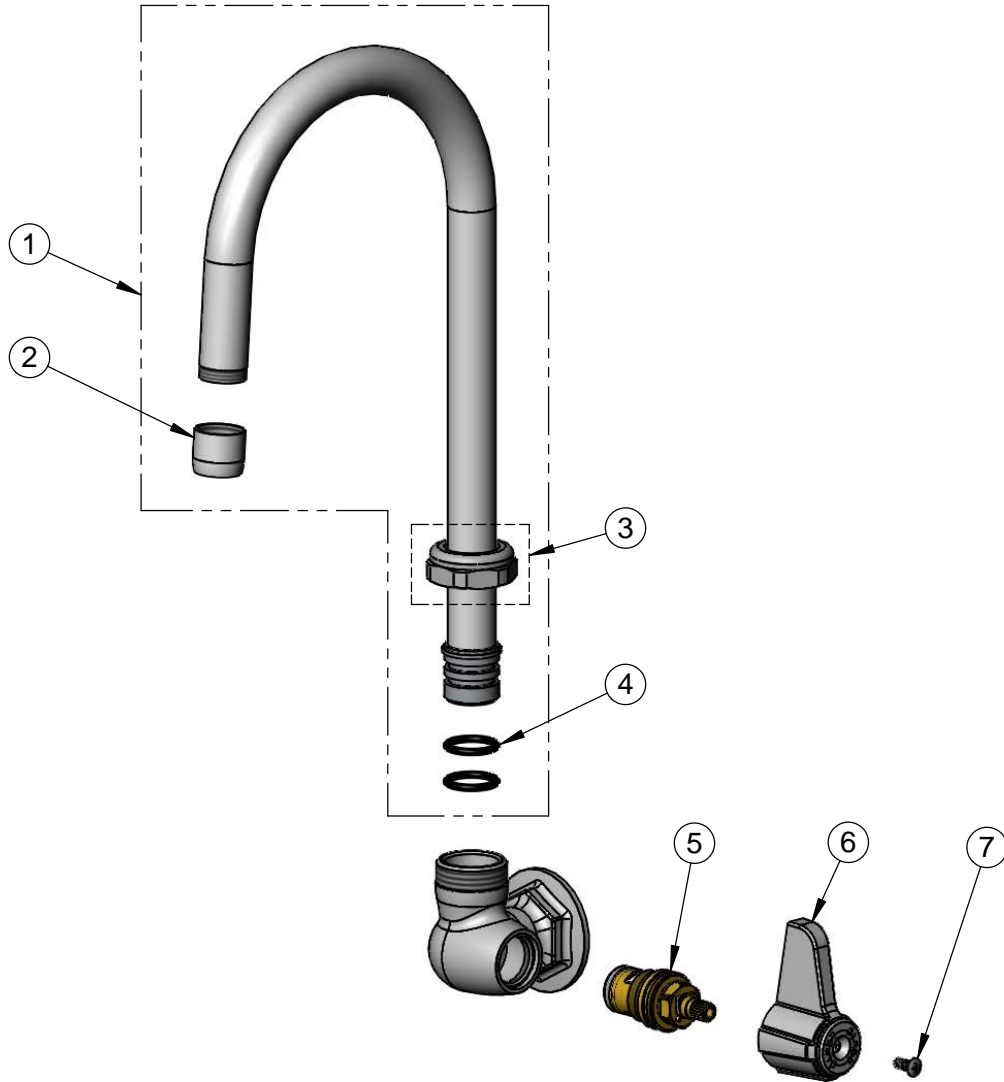
equip
Foodservice
Accessories



by 

2 Saddleback Cove, P.O. Box 1088
Travelers Rest, South Carolina 29690
Phone: 800.891.4808 Fax: 800.868.0084
equip.tsbrass.com

ITEM NO.	SALES NO.	DESCRIPTION
1	5SP-05	5 1/2" equip Swivel Gooseneck
2	014250-45	Laminar Full Flow Outlet Device
3	013839-25	equip Swivel Nut
4	013848-45	Swivel O-Ring (10)
5	013787-45	equip Ceramic Cartridge, RTC
6	5-HDL-L	equip Lever Handle w/ Color Coded Screws
7	013849-45	Screw, 4mm Metric (10)



Model Number

5F-1WLX05

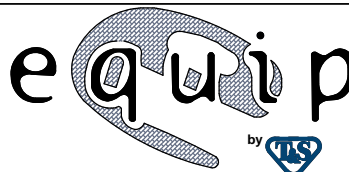
Product Specifications:

Single Supply Wall Mount Faucet w/ Quarter-Turn Ceramic Cartridge, Lever Handle, 5 9/16" Swivel Gooseneck w/ Laminar Flow Device & 1/2" NPT Female Inlet

Product Compliance:

ASME A112.18.1 / CSA B125.1
NSF 61 - Section 9
NSF 372 (Low Lead Content)
ANSI A117.1 (ADA)

equip
Foodservice
Accessories



2 Saddleback Cove, P.O. Box 1088
Travelers Rest, South Carolina 29690
Phone: 800.891.4808 Fax: 800.868.0084
equip.tsbrass.com