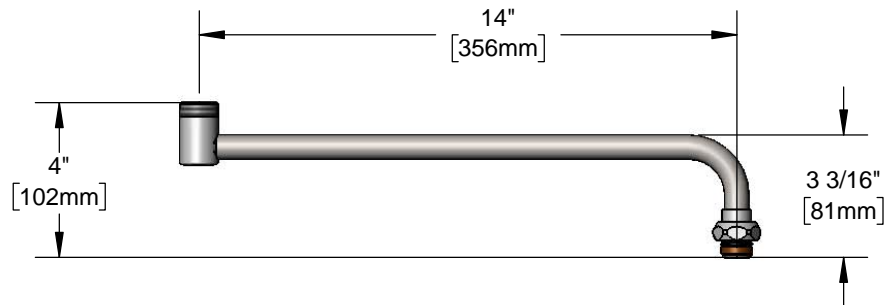
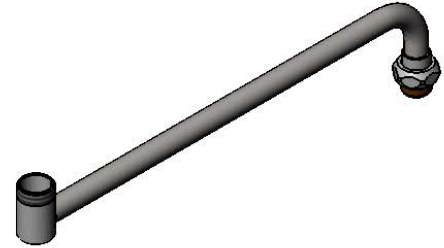




Architect/Engineering Specifications:

14" back section for double joint nozzles. Certified to NSF 61-Section 9 NSF 372.

Job Name _____
 Model Specified _____ Quantity _____
 Variations Specified _____
 Date _____



Features & Benefits:

- 14" back section for double joint swing nozzles
- Accepts all T&S swing nozzles
- Fits T&S swivel outlet faucets
- Material: Chrome plated brass tubular spout

Product Compliance:

- ASME A112.18.1 / CSA B125.1
- NSF 61 - Section 9
- NSF 372 (Low Lead Content)



Warranty: One Year (Limited)



Performance Data:

- N/A

