



ADA Compliant

This Space for Architect/Engineer Approval

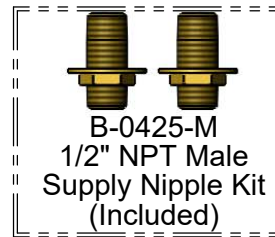
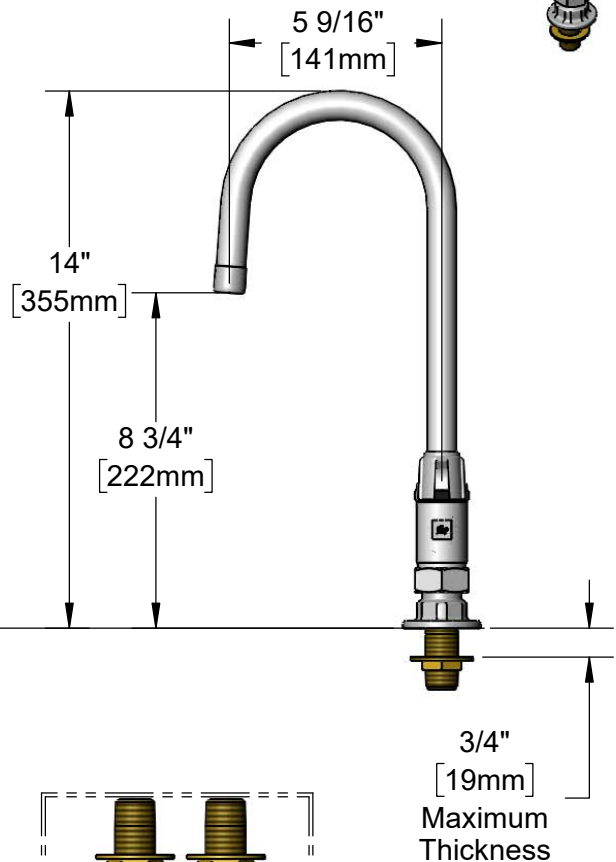
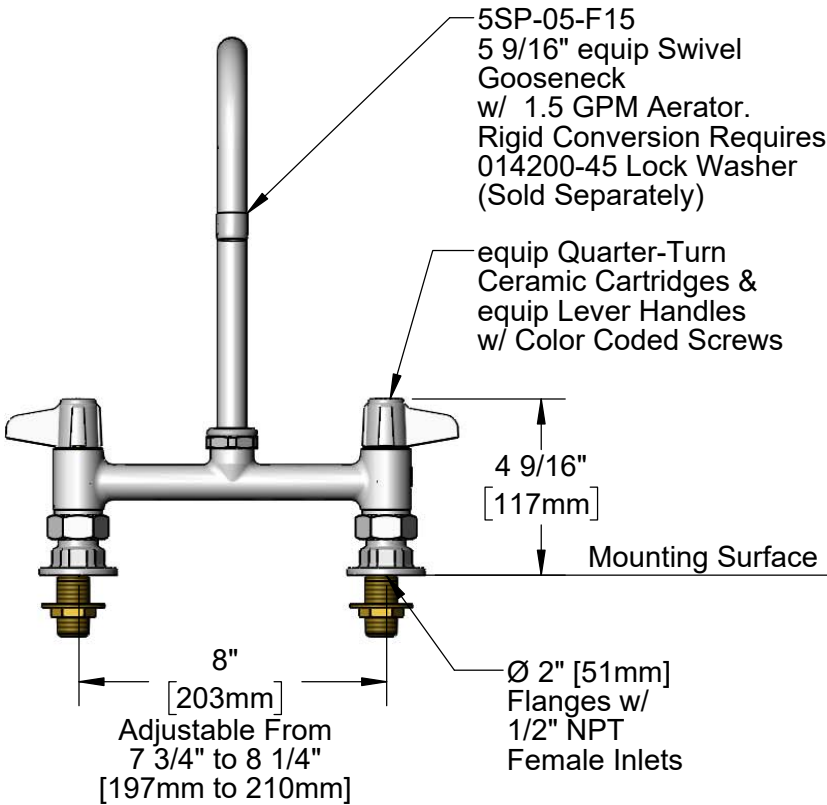
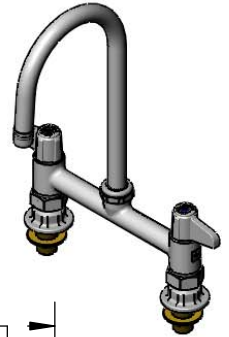
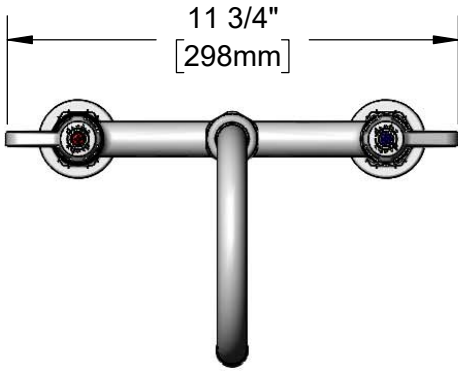
Job Name _____ Date _____

Model Specified _____ Quantity _____

Customer/Wholesaler _____

Contractor _____

Architect/Engineer _____



Rough-In Requirement:
(2) Ø 1" [25mm] Mounting Holes

Model Number

5F-8DLS05-F15

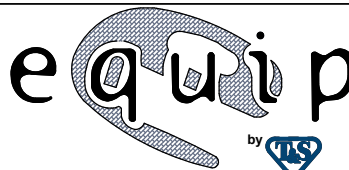
Product Compliance:

ASME A112.18.1 / CSA B125.1
NSF 61 - Section 9
NSF 372 (Low Lead Content)
ANSI A117.1 (ADA)

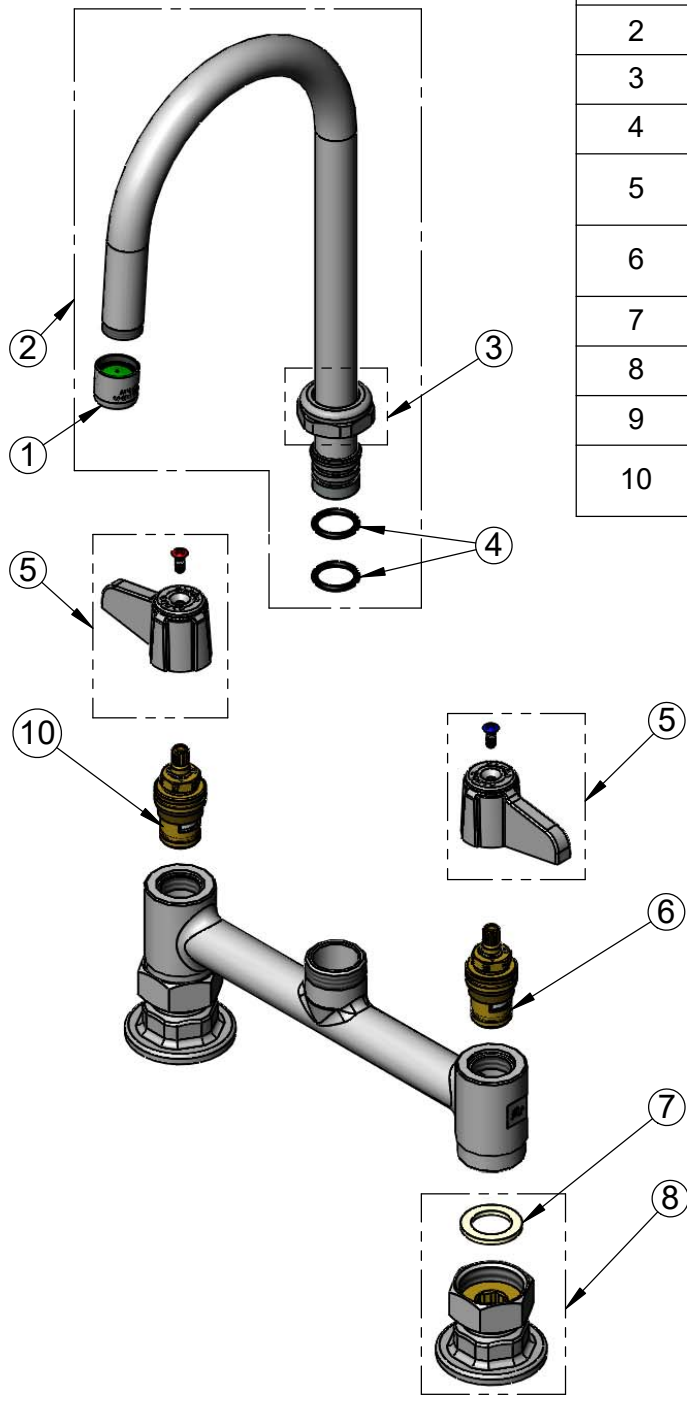
Product Specifications:

8" Deck Mount Mixing Faucet, equip Quarter-Turn Ceramic Cartridges, equip Lever Handles, 5 9/16" equip Swivel Gooseneck with 1.5 GPM Aerator & 1/2" NPT Male Supply Nipple Kit

equip
Foodservice
Accessories



2 Saddleback Cove, P.O. Box 1088
Travelers Rest, South Carolina 29690
Phone: 800.891.4808 Fax: 800.868.0084
equip.tsbrass.com



ITEM NO.	SALES NO.	DESCRIPTION
1	SP-F15	1.5 GPM Aerator, 3/4-27 UN Female
2	5SP-05-F15	5 9/16" Swivel Gooseneck
3	013839-25	equip Swivel Nut
4	013848-45	O-Ring
5	5-HDL-L	equip Lever Handle w/ Color Coded Screws
6	013788-45	equip Quarter-Turn Ceramic Cartridge, LTC (Blue)
7	001019-45	Coupling Nut Washer
8	00AA	1/2" NPT Female Eccentric Flange
9	B-0425-M	1/2" NPT Male Supply Nipple Kit (2)
10	013787-45	equip Quarter-Turn Ceramic Cartridge, RTC (Red)

Model Number
5F-8DLS05-F15

Product Compliance:
ASME A112.18.1 / CSA B125.1
NSF 61 - Section 9
NSF 372 (Low Lead Content)
ANSI A117.1 (ADA)

Product Specifications:
8" Deck Mount Mixing Faucet, equip Quarter-Turn Ceramic Cartridges, equip Lever Handles, 5 9/16" equip Swivel Gooseneck with 1.5 GPM Aerator & 1/2" NPT Male Supply Nipple Kit

equip
Foodservice
Accessories



by 

2 Saddleback Cove, P.O. Box 1088
Travelers Rest, South Carolina 29690
Phone: 800.891.4808 Fax: 800.868.0084
equip.tsbrass.com