



T&S BRASS AND BRONZE WORKS, INC.

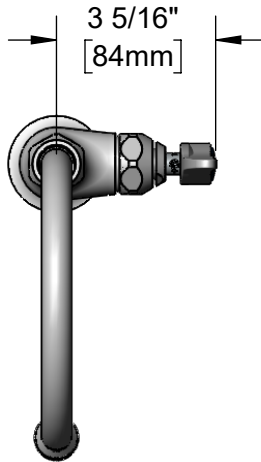
2 Saddleback Cove / P.O. Box 1088
Travelers Rest, SC 29690

Model No.

B-0305-QT-WS

Item No.

Travelers Rest, SC: 800-476-4103 • Simi Valley, CA: 800-423-0150 • Fax: 864-834-3518 • www.tsbrass.com



ADA Compliant



This Space for Architect/Engineer Approval

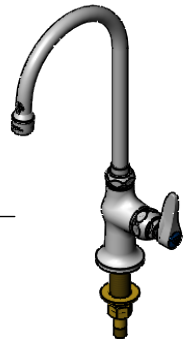
Job Name _____ Date _____

Model Specified _____ Quantity _____

Customer/Wholesaler _____

Contractor _____

Architect/Engineer _____



133X-A15 Swivel Gooseneck w/ 1.5 GPM Aerator. Converts to Rigid w/ 014200-45 Lock Washer (Included)

Quarter-Turn Eterna Cartridge w/ Spring Check & Lever Handle w/ Color Coded Index

Ø 2" [51mm] Flange

2 5/8" [67mm]

1/2" NPSM Male Inlet

150A Optional Tailpiece & Nut for 1/4" NPT Connection (Included)

1 5/8" [41mm] Maximum Thickness

Rough-In Requirement:
Ø 1" [25mm] Mounting Hole

Product Specifications:

Single Hole Single Temperature Deck Mount Faucet, Quarter-Turn Eterna Cartridge w/ Spring Check, Lever Handle, 5 3/4" Swivel/Rigid Gooseneck w/ 1.5 GPM Aerator Outlet & 1/2" NPSM Male Inlet

Product Compliance:

ASME A112.18.1 / CSA B125.1
NSF 61 - Section 9
NSF 372 (Low Lead Content)
ANSI A117.1 (ADA)
EPA WaterSense



T&S BRASS AND BRONZE WORKS, INC.

2 Saddleback Cove / P.O. Box 1088
Travelers Rest, SC 29690

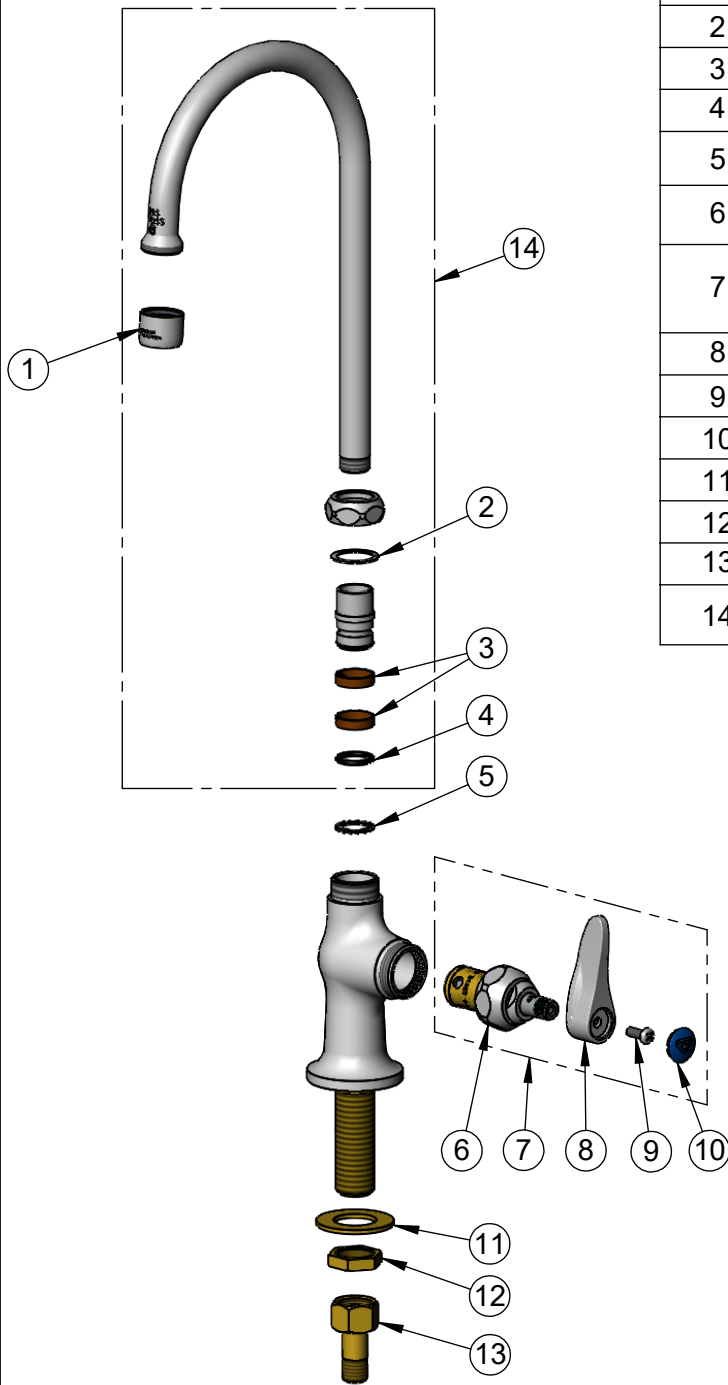
Model No.

B-0305-QT-WS

Item No.

Travelers Rest, SC: 800-476-4103 • Simi Valley, CA: 800-423-0150 • Fax: 864-834-3518 • www.tsbrass.com

ITEM NO.	SALES NO.	DESCRIPTION
1	B-0199-01-WS	1.5 GPM Aerator, 55/64-27 Female
2	009538-45	Swivel Washer
3	011429-45	Swivel Sleeves (2)
4	001074-45	O-Ring
5	014200-45	Star Washer, Anti-Rotation
6	012443-40NS	Quarter-Turn Eterna Cartridge w/ Spring Check, RTC
7	019639-40	Quarter-Turn Eterna Cartridge RTC w/ Spring Check, Handle, Blue Index & Screw
8	001638-45NS	Lever Handle (New Style)
9	000925-45	Lab Handle Screw
10	018506-19NS	Blue Button Index, Press-in
11	000999-45	Brass Lock Washer
12	002954-45	Shank Lock Nut
13	150A	1/4" NPT Tailpiece & Nut
14	133X-A15	5 3/4" Swivel Gooseneck w/ 1.5 GPM Aerator



Product Specifications:
Single Hole Single Temperature Deck Mount Faucet, Quarter-Turn Eterna Cartridge w/ Spring Check, Lever Handle, 5 3/4" Swivel/Rigid Gooseneck w/ 1.5 GPM Aerator Outlet & 1/2" NPSM Male Inlet

Product Compliance:
ASME A112.18.1 / CSA B125.1
NSF 61 - Section 9
NSF 372 (Low Lead Content)
ANSI A117.1 (ADA)
EPA WaterSense