



# T&S BRASS AND BRONZE WORKS, INC.

2 Saddleback Cove / P.O. Box 1088  
Travelers Rest, SC 29690

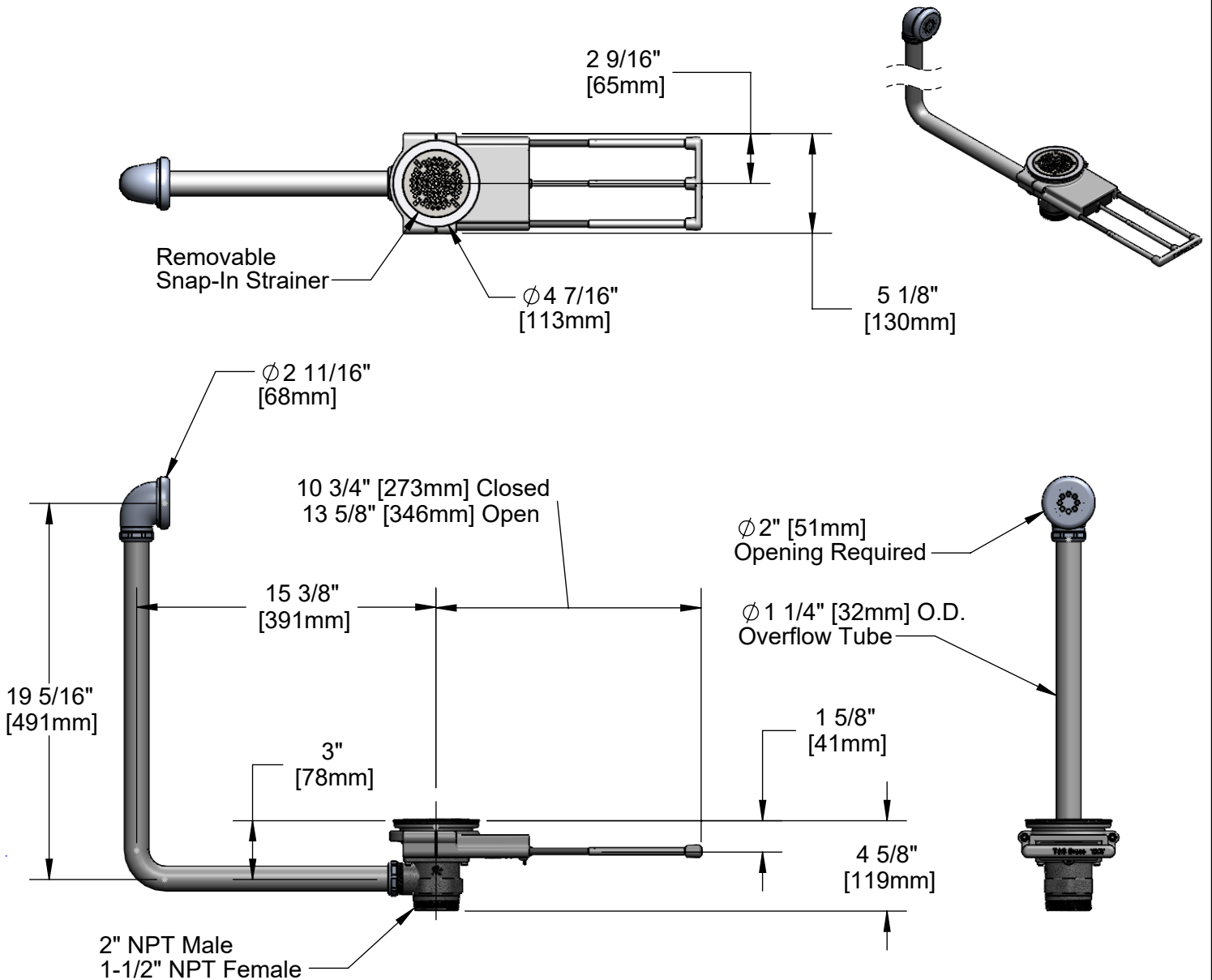
Model No.

**B-3992-01-5X**

Item No.

Travelers Rest, SC: 800-476-4103 • Simi Valley, CA: 800-423-0150 • Fax: 864-834-3518 • www.tsbrass.com

This Space for Architect/Engineer Approval Job Name _____ Date _____ Model Specified _____ Quantity _____ Customer/Wholesaler _____ Contractor _____ Architect/Engineer _____	Sink Bowl Size (Front to Back)	Recommended Sales Model
	18"	B-3992-01
	20"	B-3992-01 or B-3992-01-3X
	24"	B-3992-01-3X
	28"	B-3992-01-5X



**Product Specifications:**  
 Modular Waste Drain Valve w/ Pull Handle, 3 1/2" Sink Opening, 2" NPT Male / 1-1/2" NPT Female Outlet, Overflow Tube w/ Head Assembly, 5" Handle Extension

**Product Compliance:**  
 ASME A112.18.2 / CSA B125.2



# T&S BRASS AND BRONZE WORKS, INC.

2 Saddleback Cove / P.O. Box 1088  
Travelers Rest, SC 29690

Model No.

**B-3992-01-5X**

Item No.

Travelers Rest, SC: 800-476-4103 • Simi Valley, CA: 800-423-0150 • Fax: 864-834-3518 • www.tsbrass.com

ITEM NO.	SALES NO.	DESCRIPTION
1	011356-45	Head Asm, Overflow Tube
2	011355-45	Tube, Overflow Elbow
3	010391-45	Nut, Coupling for Twist Drain
4	010390-45	Ferrule, Coupling Nut
5	018196-45	#10 Split Lock Washer
6	017669-45	10-32 x 1-1/8" SHCS, SS
7	010386-45	Strainer, 3 1/2" Snap-in Removable
8	016654-45	Vandal Resistant SS Screw
9	010384-45	Flange, 3 1/2" Face
10	017694-45	Guard, 3 1/2" Vandal Resistant Drain
11	010382-45	Gasket, 3 1/2" Face Flange
12	017698-45K	Valve Body Seal Kit, Bag of (2)
13	017219-45	Valve Body Assembly w/ (2) Seals
14	017454-45	1/4-20 x 1-1/4 SHCS, SS
15	017451-20	Support Rod
16	B-3990-5KIT	5" Handle Extension Kit
17	017448-45	Handle
18	017670-45	Waste Drain Installation Tool

012640-45  
Sealing Cap When Overflow Tube  
Coupling Nut is Not Used.  
(Included)

014734-45  
#8 Spanner Bit For  
Vandal Resistant Screw  
(Included)

Available Handle Extension Kit:  
B-3990-3KIT (3" Extension)

**Product Specifications:**  
Modular Waste Drain Valve w/ Pull Handle, 3 1/2" Sink Opening, 2" NPT Male / 1-1/2" NPT Female Outlet, Overflow Tube w/ Head Assembly, 5" Handle Extension

**Product Compliance:**  
ASME A112.18.2 / CSA B125.2