



T&S BRASS AND BRONZE WORKS, INC.

2 Saddleback Cove / P.O. Box 1088
Travelers Rest, SC 29690

Model No.

B-0324-CR-129X

Item No.

Travelers Rest, SC: 800-476-4103 • Simi Valley, CA: 800-423-0150 • Fax: 864-834-3518 • www.tsbrass.com



ADA Compliant

This Space for Architect/Engineer Approval

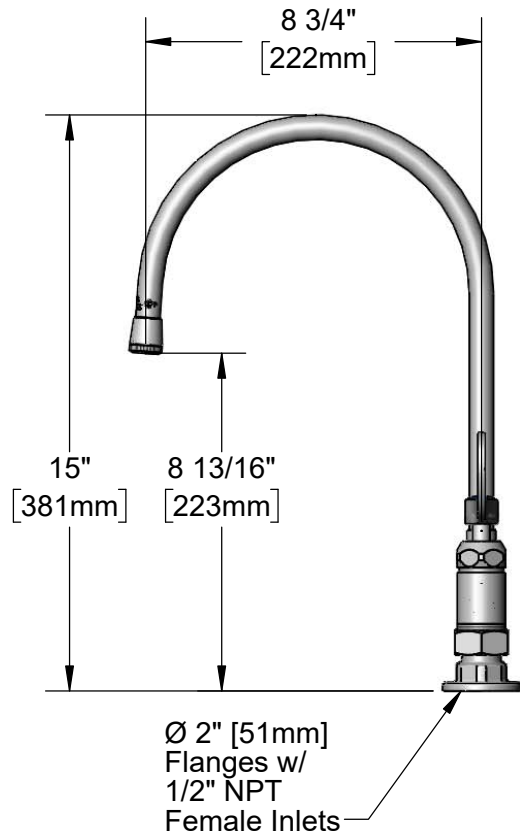
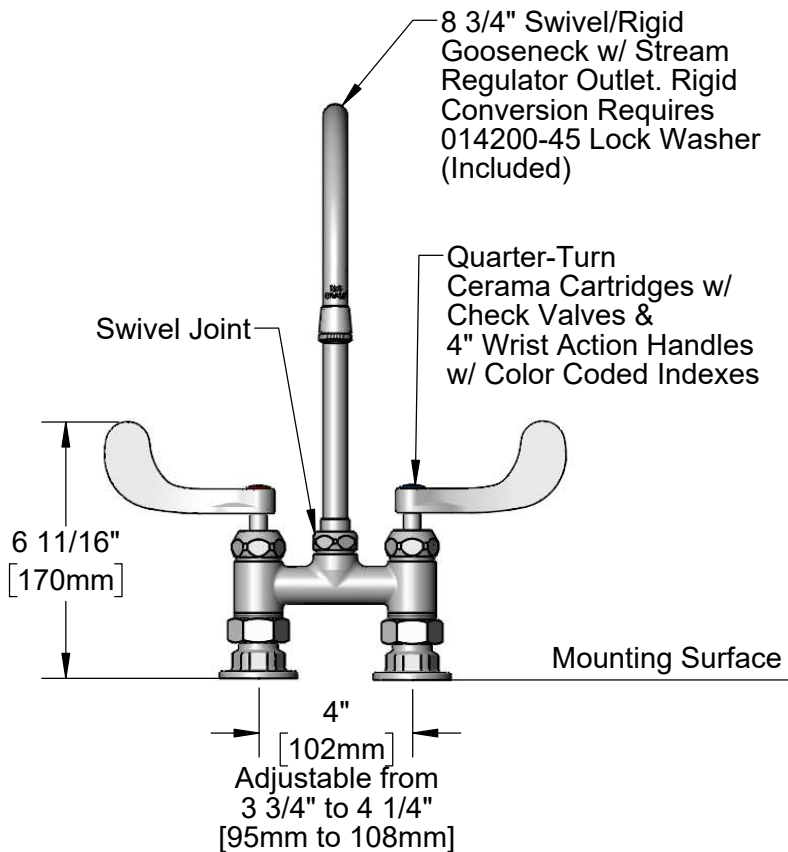
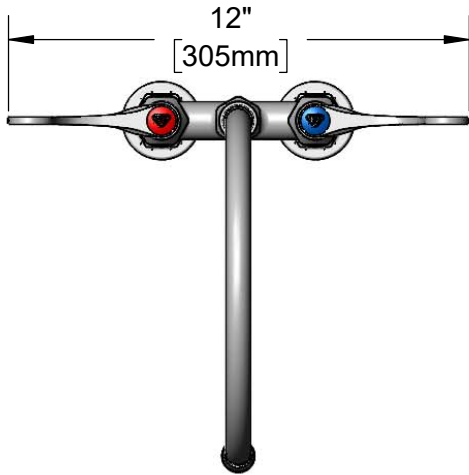
Job Name _____ Date _____

Model Specified _____ Quantity _____

Customer/Wholesaler _____

Contractor _____

Architect/Engineer _____



Product Specifications:

4" Deck Mount Mixing Faucet, Quarter-Turn Cerama Cartridges w/ Check Valves, Wrist Action Handles, 8 3/4" Swivel/Rigid Gooseneck w/ Stream Regulator Outlet & 1/2" NPT Female Inlets

Product Compliance:

ASME A112.18.1 / CSA B125.1
NSF 61 - Section 9
NSF 372 (Low Lead Content)
ANSI A117.1 (ADA)



T&S BRASS AND BRONZE WORKS, INC.

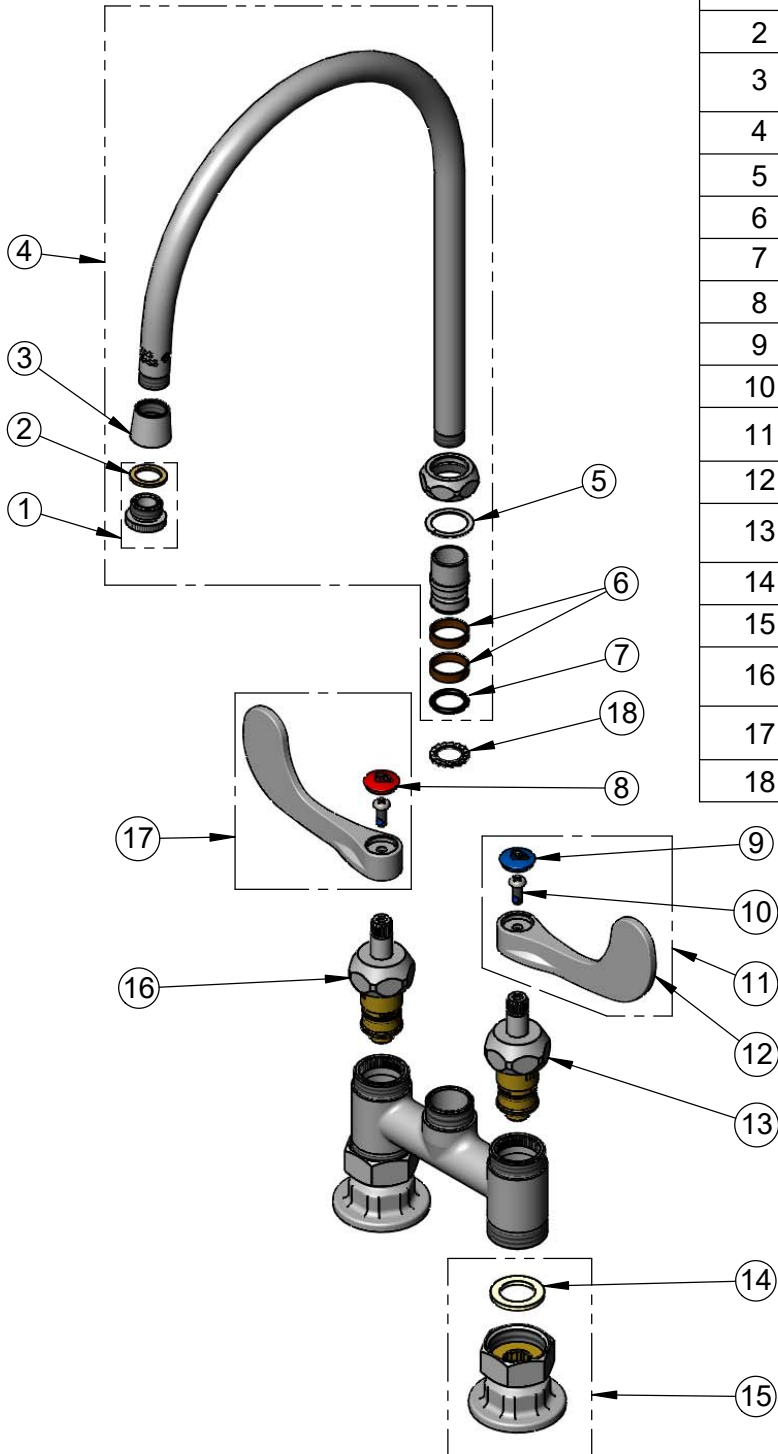
2 Saddleback Cove / P.O. Box 1088
Travelers Rest, SC 29690

Model No.

B-0324-CR-129X

Item No.

Travelers Rest, SC: 800-476-4103 • Simi Valley, CA: 800-423-0150 • Fax: 864-834-3518 • www.tsbrass.com



ITEM NO.	SALES NO.	DESCRIPTION
1	B-LT	Stream Regulator Outlet
2	001043-45	Washer
3	020205-40	Adapter, 5/8-27 UN x 3/8-18 NPSM
4	135X	8 3/4" Swivel/Rigid Gooseneck
5	009538-45	Swivel Washer
6	011429-45	Swivel Sleeves (2)
7	001074-45	O-Ring
8	001193-19NS	Red Button Index, Press-in
9	018506-19NS	Blue Button Index, Press-in
10	000925-45	Lab Handle Screw
11	B-WH4C-NS	Wrist Action Handle, Blue Index & Screw
12	B-WH4-NS	Wrist Action Handle - New Style
13	012395-25NS	Quarter-Turn Cerama Cartridge w/ Check Valve, LTC
14	001019-45	Coupling Nut Washer
15	00AA	1/2" NPT Female Eccentric Flange
16	012394-25NS	Quarter-Turn Cerama Cartridge w/ Check Valve, RTC
17	B-WH4H-NS	Wrist Action Handle, Red Index & Screw
18	014200-45	Star Washer, Anti-Rotation

Product Specifications:

4" Deck Mount Mixing Faucet, Quarter-Turn Cerama Cartridges w/ Check Valves, Wrist Action Handles, 8 3/4" Swivel/Rigid Gooseneck w/ Stream Regulator Outlet & 1/2" NPT Female Inlets

Product Compliance:

ASME A112.18.1 / CSA B125.1
NSF 61 - Section 9
NSF 372 (Low Lead Content)
ANSI A117.1 (ADA)