



**T&S BRASS AND BRONZE WORKS, INC.**  
 2 Saddleback Cove / P.O. Box 1088  
 Travelers Rest, SC 29690

Model No.  
**B-0044-H3**

Item No.

Travelers Rest, SC: 800-476-4103 • Simi Valley, CA: 800-423-0150 • Fax: 864-834-3518 • www.tsbrass.com

This Space for Architect/Engineer Approval

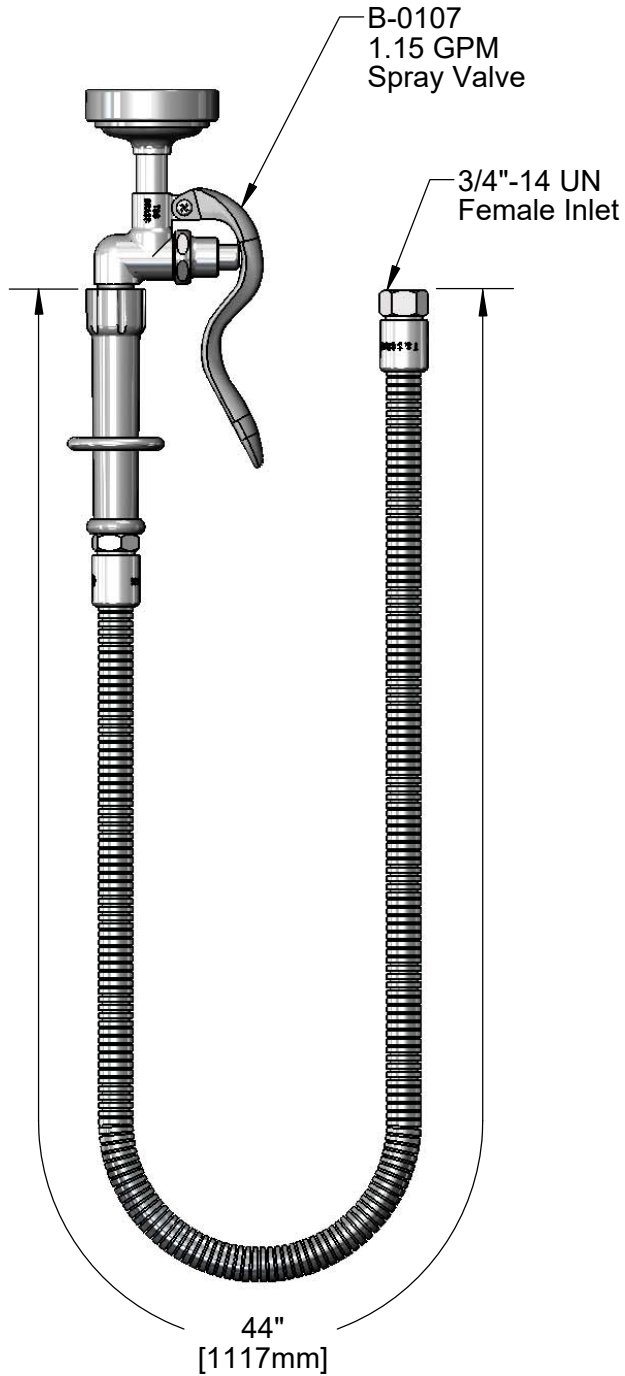
Job Name \_\_\_\_\_ Date \_\_\_\_\_

Model Specified \_\_\_\_\_ Quantity \_\_\_\_\_

Customer/Wholesaler \_\_\_\_\_

Contractor \_\_\_\_\_

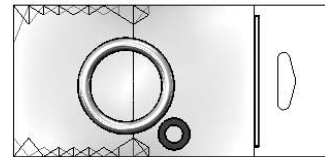
Architect/Engineer \_\_\_\_\_



**053A**  
 Adapter  
 3/8" NPT Male x  
 3/4"-14 UN Male  
 (Included)



**172A**  
 Adapter  
 1/4" NPT Male x  
 3/4"-14 UN Male  
 (Included)



**Hold Down Ring & Washer**  
 (Included)

Product Specifications:  
 44" Flexible Stainless Steel Hose w/ Adapters & 1.15 GPM Spray Valve

Product Compliance:  
 ASME A112.18.1 / CSA B125.1  
 NSF 61 - Section 9  
 NSF 372 (Low Lead Content)  
 2019 DOE PRSV - Class II

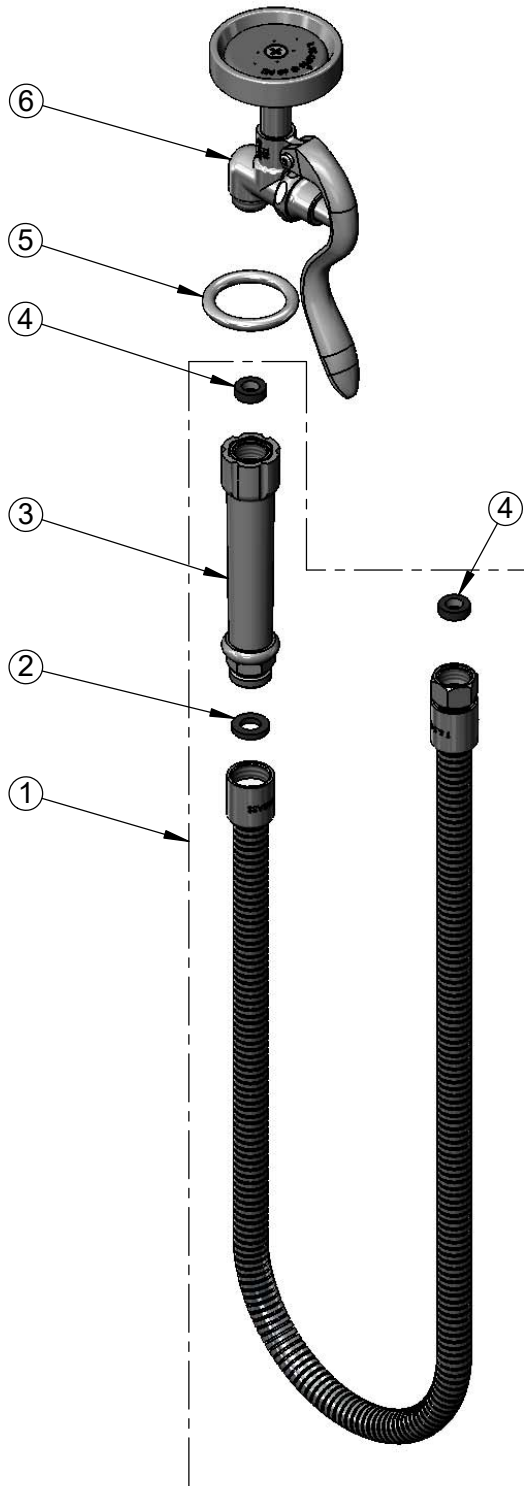


**T&S BRASS AND BRONZE WORKS, INC.**  
 2 Saddleback Cove / P.O. Box 1088  
 Travelers Rest, SC 29690

Model No.  
**B-0044-H3**

Item No.

Travelers Rest, SC: 800-476-4103 • Simi Valley, CA: 800-423-0150 • Fax: 864-834-3518 • www.tsbrass.com



ITEM NO.	SALES NO.	DESCRIPTION
1	B-0044-H	44" Flexible Stainless Steel Hose
2	001014-45	Washer, B-0100 Hose Barrel
3	002987-40	Grip Handle
4	010476-45	#27 Washer
5	000907-45	Spray Valve Hold Down Ring
6	B-0107	1.15 GPM Spray Valve
7	053A	Adapter, 3/8" NPT Male x 3/4"-14 UN Male
8	172A	Adapter, 1/4" NPT Male x 3/4"-14 UN Male

Product Specifications:  
 44" Flexible Stainless Steel Hose w/ Adapters & 1.15 GPM Spray Valve

Product Compliance:  
 ASME A112.18.1 / CSA B125.1  
 NSF 61 - Section 9  
 NSF 372 (Low Lead Content)  
 2019 DOE PRSV - Class II