



T&S BRASS AND BRONZE WORKS, INC.

2 Saddleback Cove / P.O. Box 1088
Travelers Rest, SC 29690

Model No.

S-0155-LNEZ

Item No.

Travelers Rest, SC: 800-476-4103 • Simi Valley, CA: 800-423-0150 • Fax: 864-834-3518 • www.tsbrass.com



ADA Compliant

This Space for Architect/Engineer Approval

Job Name _____ Date _____

Model Specified _____ Quantity _____

Customer/Wholesaler _____

Contractor _____

Architect/Engineer _____

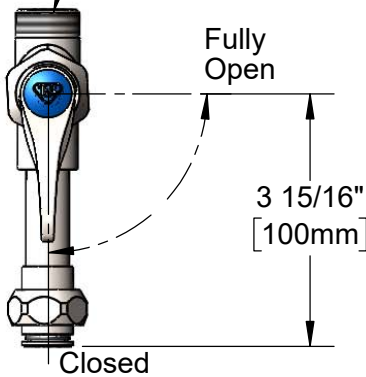


Swivel to Rigid Lock Washer (Included)

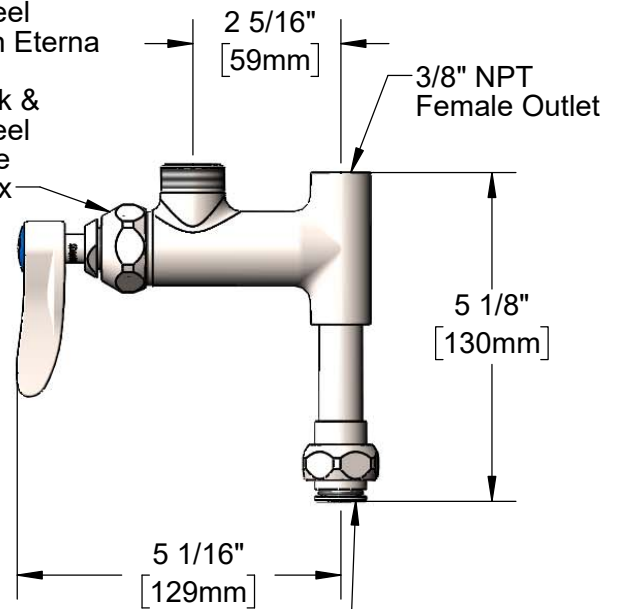
3/8" Hex L-Key to Remove Existing Riser Swivel Piece (Included)



Swivel Outlet Accepts T&S Stainless Steel Swing Nozzles



Stainless Steel Quarter-Turn Eterna Cartridge w/ Spring Check & Stainless Steel Lever Handle w/ Blue Index



Inlet Connection Fits Stainless Steel T&S EasyInstall Base Faucets (See Note 3)

Notes:

1. Add-On Faucet is an Addition to Pre-Rinse Units and is Installed in Outlets of Base Mixing Faucets of Units Before Fitting Riser Pipes
2. Lever Handle Controls Water On-Off Thru Nozzle Only. Pressure is Always "On" in Riser Pipe (Controlled by Base Mixing Faucet)
3. Place Lock Washer into Base Faucet Outlet & Lubricate O-Ring Prior to Installing Add-On Faucet

Product Specifications:

Stainless Steel Add-On Faucet w/ Quarter-Turn Eterna Cartridge w/ Spring Check, Lever Handle, 3" Nipple (Less Nozzle)

Product Compliance:

ASME A112.18.1 / CSA B125.1
NSF 61 - Section 9
NSF 372 (Low Lead Content)
ANSI A117.1 (ADA)



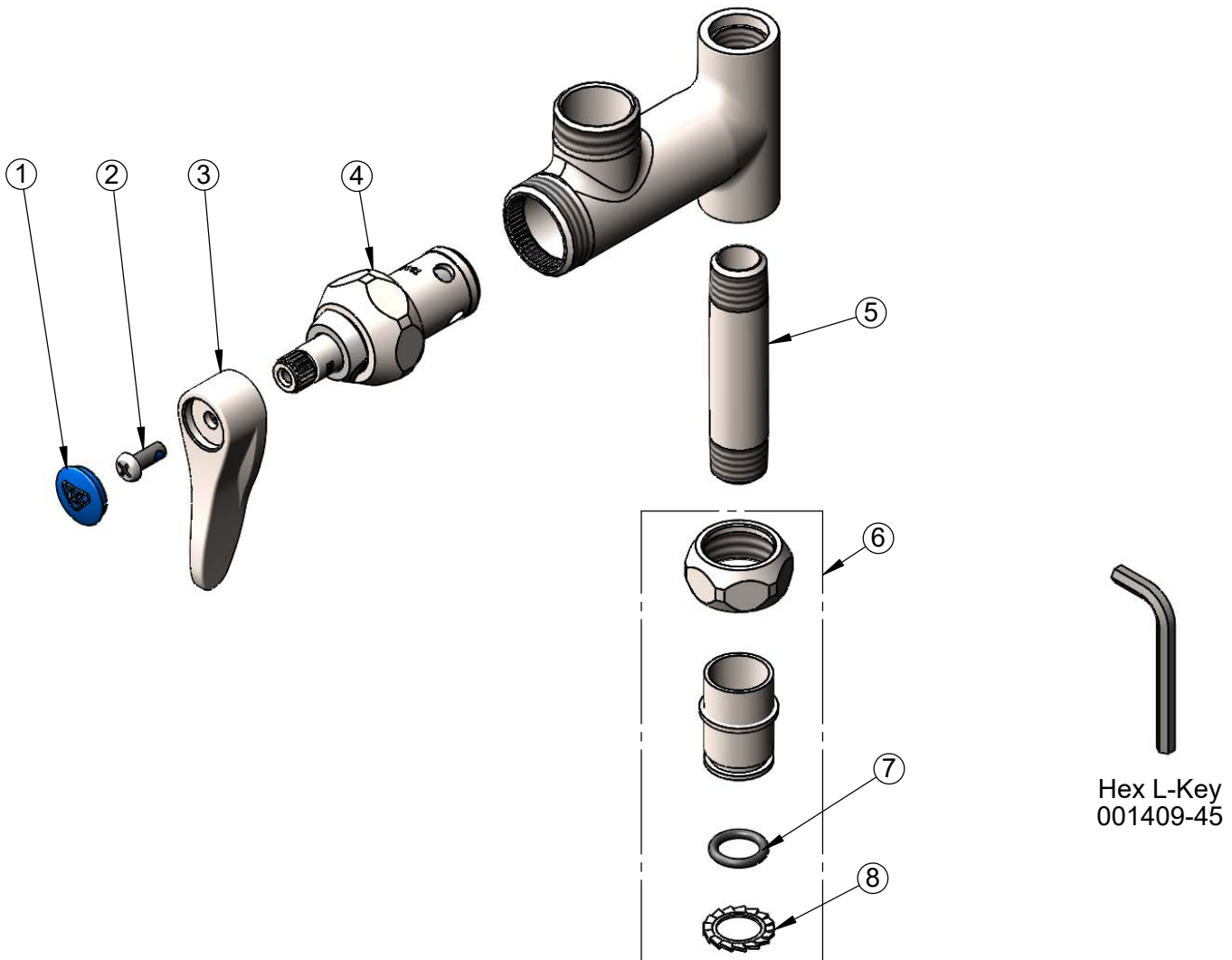
T&S BRASS AND BRONZE WORKS, INC.
 2 Saddleback Cove / P.O. Box 1088
 Travelers Rest, SC 29690

Model No.
S-0155-LNEZ

Item No.

Travelers Rest, SC: 800-476-4103 • Simi Valley, CA: 800-423-0150 • Fax: 864-834-3518 • www.tsbrass.com

ITEM NO.	SALES NO.	DESCRIPTION
1	018506-19NS	Blue Button Index, Press-in
2	000925-45	Lab Handle Screw
3	S001638-45NS	Lever Handle (New Style)
4	S012443-30NS	Quarter-Turn Eterna Cartridge w/ Spring Check, RTC
5	S000358-30	Nipple, 3/8" NPT x 3"
6	SEZ-K	EasyInstall Installation Kit
7	001065-45	O-Ring
8	014200-45	Star Washer, Anti-Rotation



Hex L-Key
 001409-45

Product Specifications:
 Stainless Steel Add-On Faucet w/ Quarter-Turn Eterna Cartridge w/ Spring Check, Lever Handle, 3" Nipple (Less Nozzle)

Product Compliance:
 ASME A112.18.1 / CSA B125.1
 NSF 61 - Section 9
 NSF 372 (Low Lead Content)
 ANSI A117.1 (ADA)