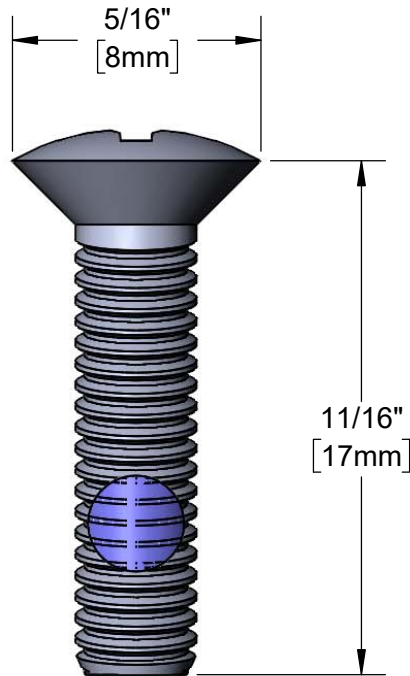




Architect/Engineering Specifications:

M4x17mm Screw Oval Head.

Job Name _____
 Model Specified _____ Quantity _____
 Variations Specified _____
 Date _____



Features & Benefits:

- M4x17mm Screw
- Material: Stainless steel

Product Compliance:

- N/A



Warranty: One Year (Limited)

Performance Data:

- N/A

