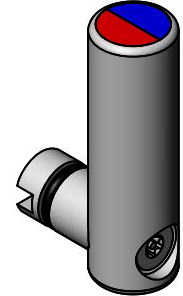
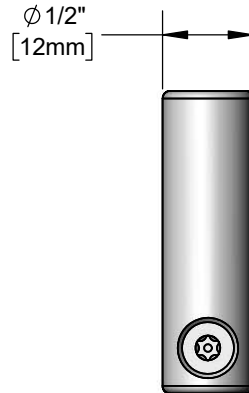
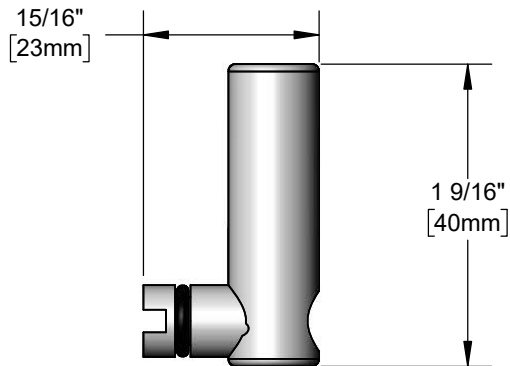




Architect/Engineering Specifications:

Chrome plated brass lever handle with color coded temperature index and vandal resistant screws.

Job Name _____
 Model Specified _____ Quantity _____
 Variations Specified _____
 Date _____



Features & Benefits:

- Chrome plated brass lever handle
- Color coded temperature index
- Vandal resistant screws
- Material: Chrome plated brass

Product Compliance:

- N/A

Warranty: One Year (Limited)

Performance Data:

- N/A

