



Foot Pedal Valves

B-0508

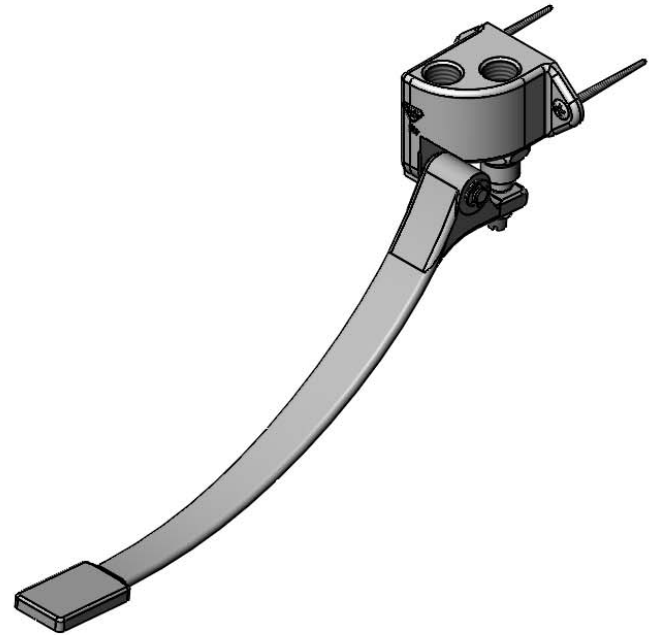
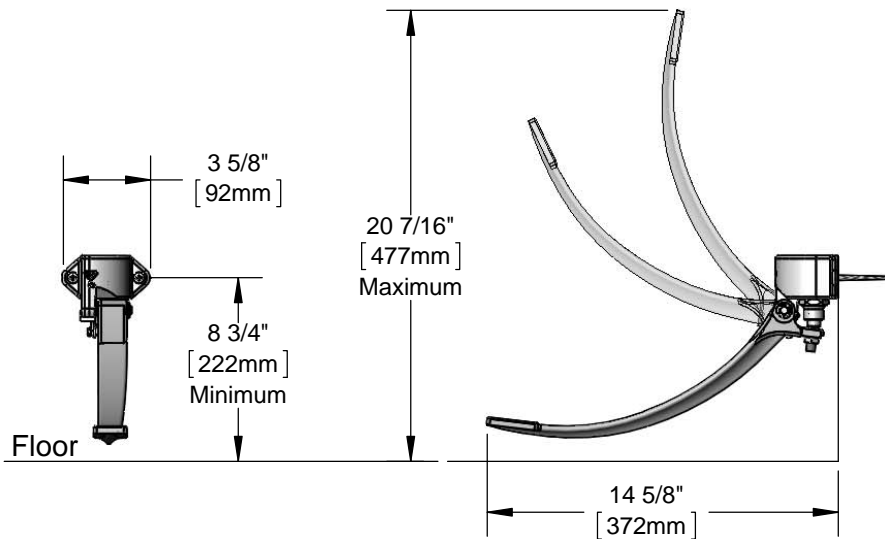
TAG:

Single Pedal Valve

Architect/Engineering Specifications:

Wall mounted single pedal valve with chrome plated solid brass body, adjustable height aluminum pedal, self-closing valve, 1/2" NPT female inlet and outlet and mounting screws. Certified to ASME A112.18.1/CSA B125.1, NSF 61-Section 9 and NSF 372.

| |
|--------------------------------------|
| Job Name _____ |
| Model Specified _____ Quantity _____ |
| Variations Specified _____ |
| Date _____ |



Features & Benefits:

- Wall mounted single pedal valve
- Adjustable height blank pedal
- Pedal flips up for floor cleaning
- Self-closing valve
- 1/2" NPT female inlet and outlet
- Includes mounting screws
- Material: Polished chrome brass body, satin finish aluminum pedal

Product Compliance:

- ASME A112.18.1 / CSA B125.1
- NSF 61 - Section 9
- NSF 372 (Low Lead Content)



Warranty: One Year (Limited)

Performance Data:

- Pressure: 20 - 125 psi
- Temperature: 40 °F - 140 °F
- Flow Rate: 4.92 GPM @ 60 psi

Optional Cartridges

- Metering Cartridge



T&S BRASS AND BRONZE WORKS, INC.



• 2 Saddleback Cove • Travelers Rest, SC 29690
 Ph 800-476-4103 • Fax 864-834-3518
 • Simi Valley, CA • Ph 800-423-0150 • www.tsbrass.com

Date: 05/07/16