



Architect/Engineering Specifications:

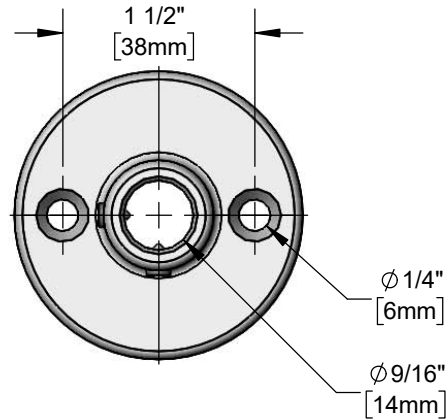
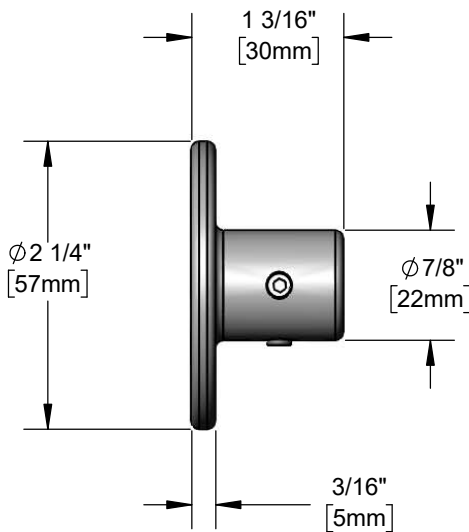
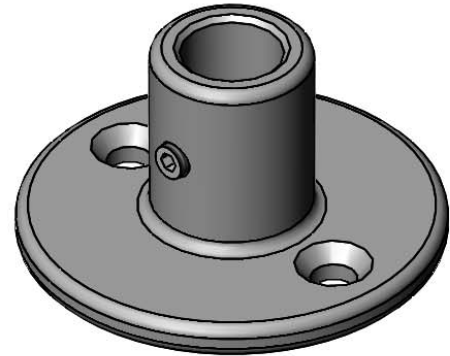
Chrome plated metal wall bracket with set screws.

Job Name _____

Model Specified _____ Quantity _____

Variations Specified _____

Date _____



Features & Benefits:

- Chrome plated metal wall bracket
- Set screws included
- Material: Chrome plated metal

Product Compliance:

- N/A

Warranty: One Year (Limited)

Performance Data:

- N/A

