



**Pre-Rinse Units**  
**B-0133-08C-LB**

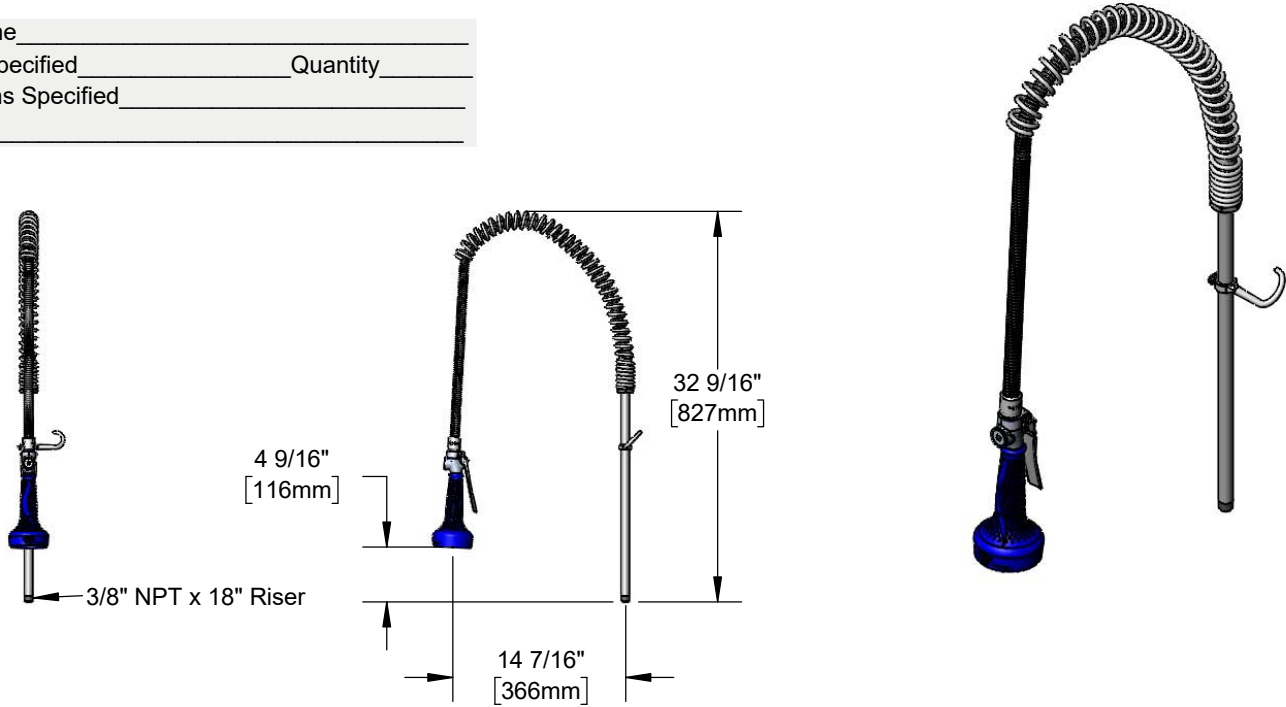
TAG:

*Pre-Rinse Unit*

**Architect/Engineering Specifications:**

Pre-rinse unit: 44" flexible stainless steel hose, 0.65 GPM low flow spray valve with insulated grip handle, spring and 18" riser, less base faucet. Certified to ASME A112.18.1/CSA B125.1, NSF 61-Section 9, NSF 372. 2019 DOE PRSV - Class I compliant.

Job Name \_\_\_\_\_  
 Model Specified \_\_\_\_\_ Quantity \_\_\_\_\_  
 Variations Specified \_\_\_\_\_  
 Date \_\_\_\_\_



**Features & Benefits:**

- 44" flexible stainless steel hose w/ overhead spring
- 0.65 GPM JetSpray spray valve with insulated grip handle, stainless steel trigger and trigger lock
- 3/8" NPT x 18" Riser
- Material: Chrome plated brass riser & spray valve body, stainless steel hose

**Product Compliance:**

- ASME A112.18.1 / CSA B125.1
- NSF 61 - Section 9
- NSF 372 (Low Lead Content)
- 2019 DOE PRSV - Class I



**Warranty:** One Year (Limited)

**Performance Data:**

- Pressure: 20 - 125 psi
- Temperature: 40 °F - 140 °F
- Flow Rate: 0.65 GPM @ 60 psi

**Optional Pre-Rinse Spray Valves**

- B-0107 (1.15 GPM)
- B-0107-C (0.65 GPM)
- B-0107-J (1.07 GPM)
- B-0108 (1.07 GPM)
- B-0108-C (0.65 GPM) (Standard)



**T&S BRASS AND BRONZE WORKS, INC.**



• 2 Saddleback Cove • Travelers Rest, SC 29690  
 Ph 800-476-4103 • Fax 864-834-3518  
 • Simi Valley, CA • Ph 800-423-0150 • www.tsbrass.com

Date: 08/15/19