



T&S BRASS AND BRONZE WORKS, INC.

2 Saddleback Cove / P.O. Box 1088
Travelers Rest, SC 29690

Model No.

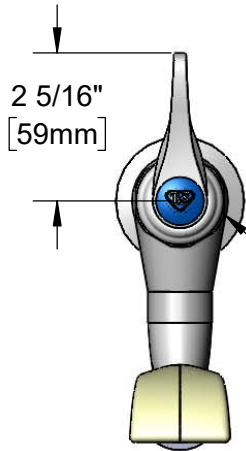
B-2360-AR

Item No.

Travelers Rest, SC: 800-476-4103 • Simi Valley, CA: 800-423-0150 • Fax: 864-834-3518 • www.tsbrass.com



ADA Compliant



Fast Self-Closing Cartridge w/
Lever Handle w/ VR Screw &
Color Coded Index
(VR Key Included)

This Space for Architect/Engineer Approval

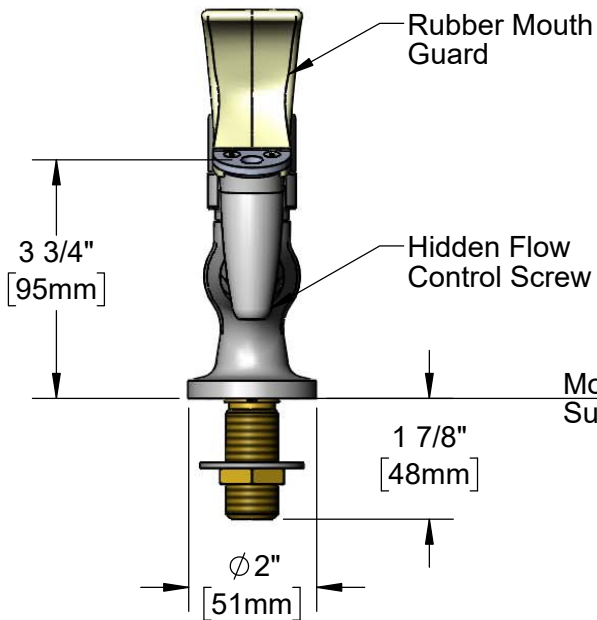
Job Name _____ Date _____

Model Specified _____ Quantity _____

Customer/Wholesaler _____

Contractor _____

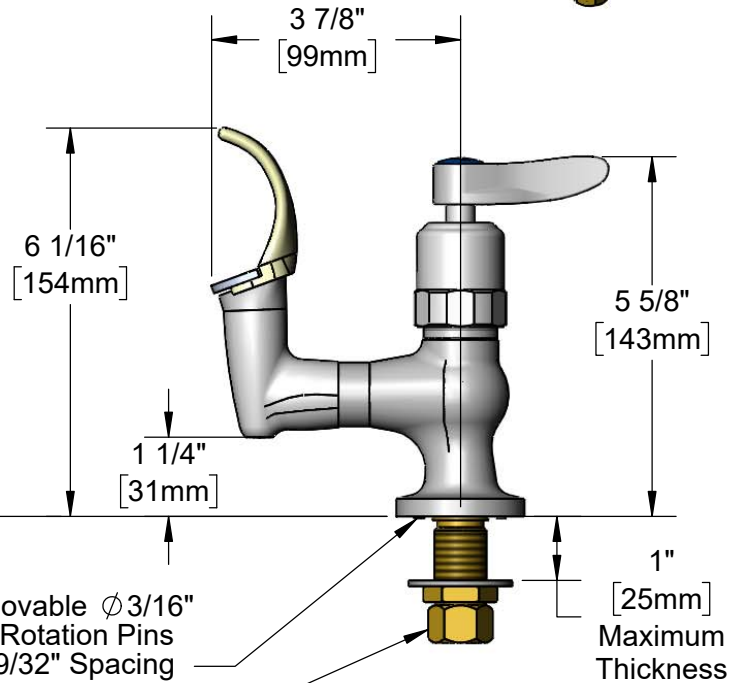
Architect/Engineer _____



Rubber Mouth Guard

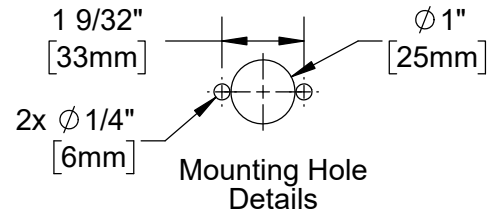
Hidden Flow Control Screw

Mounting Surface



Removable $\phi 3/16$ "
Anti-Rotation Pins
@1 9/32" Spacing

1/2" NPSM Inlet
w/ Coupling Nut



Rough-In Requirement:
 $\phi 1$ " [25mm] Mounting Hole

Product Specifications:
Bubbler w/ Anti-Rotation Pins, Fast Self-Closing Cartridge, Lever Handle, Rubber Mouth Guard & 1/2" NPSM Inlet w/ Coupling Nut

Product Compliance:
ASME A112.18.1 / CSA B125.1
NSF 61 - Section 9
NSF 372 (Low Lead Content)
ANSI A117.1 (ADA)



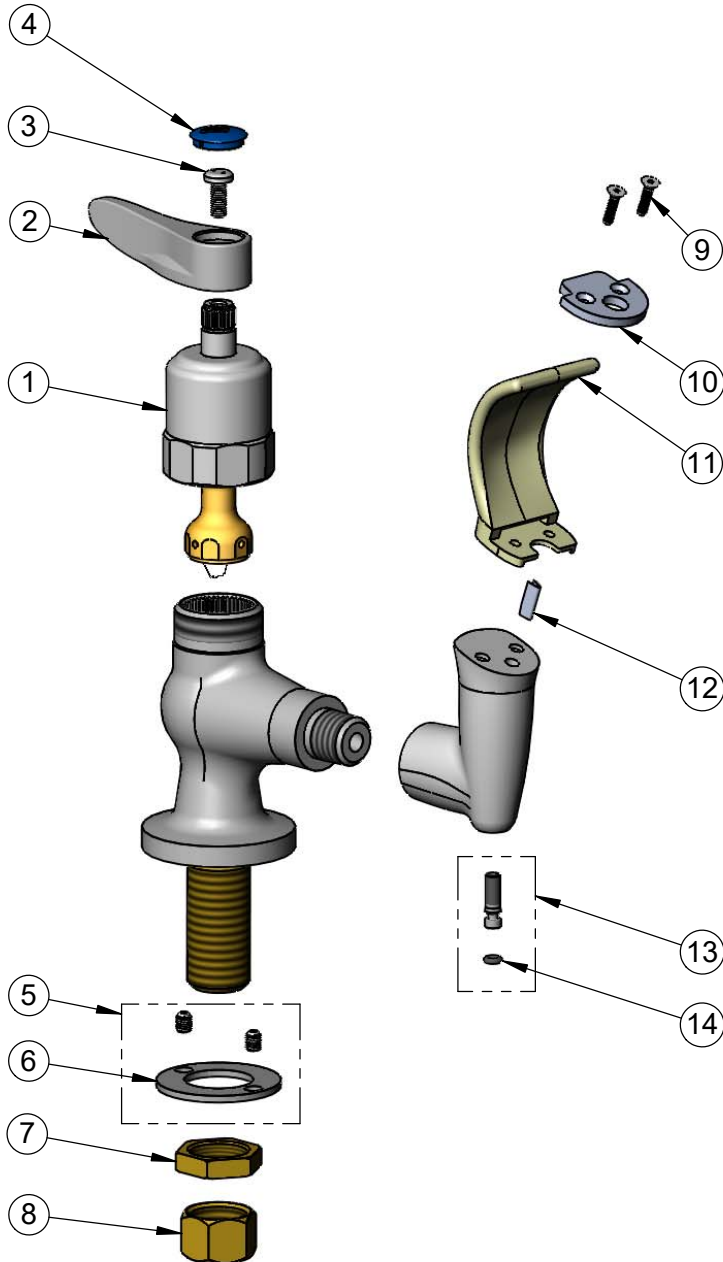
T&S BRASS AND BRONZE WORKS, INC.
 2 Saddleback Cove / P.O. Box 1088
 Travelers Rest, SC 29690

Model No.

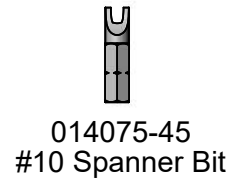
B-2360-AR

Item No.

Travelers Rest, SC: 800-476-4103 • Simi Valley, CA: 800-423-0150 • Fax: 864-834-3518 • www.tsbrass.com



ITEM NO.	SALES NO.	DESCRIPTION
1	015317-40	Fast Self-Closing Cartridge
2	001638-45NS	Lever Handle (New Style)
3	VRS-2	VR Wrist Action Handle Screw (2) w/ Spanner Bit
4	018506-19NS	Blue Button Index, Press-in
5	012698-45	Anti-Rotation Pins w/ Washer
6	012701-20	Washer, Shank - VR Bubbler
7	002954-45	Shank Lock Nut
8	000958-20	Coupling Nut
9	009598-45	Mouth Guard Screw
10	009596-40	Mouth Guard Holder
11	009595-45	Rubber Mouth Guard
12	009594-45	Flow Straightener
13	012697-45	Flow Control Screw
14	015319-45	O-Ring



Product Specifications:
 Bubbler w/ Anti-Rotation Pins, Fast Self-Closing Cartridge, Lever Handle, Rubber Mouth Guard & 1/2" NPSM Inlet w/ Coupling Nut

Product Compliance:
 ASME A112.18.1 / CSA B125.1
 NSF 61 - Section 9
 NSF 372 (Low Lead Content)
 ANSI A117.1 (ADA)