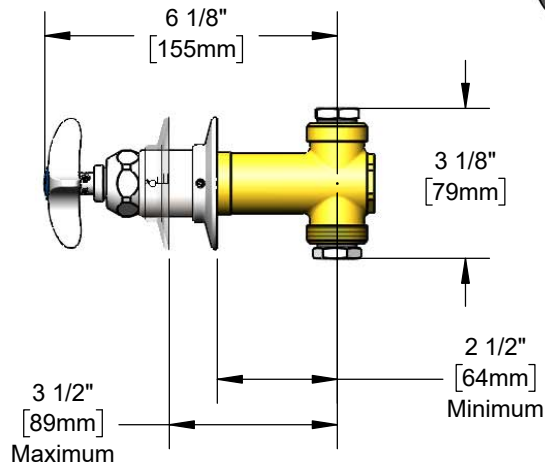
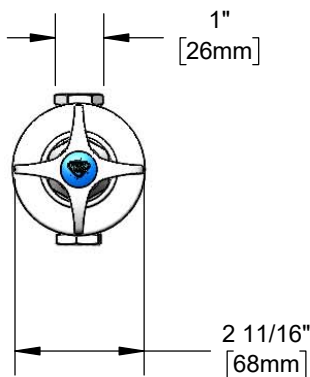




**Architect/Engineering Specifications:**

Shut off control valve with adjustable wall flange, 3/8" NPT female inlet and outlet, and 4-arm handle. Certified to ASME A112.18.1/CSA B125.1, NSF 61-Section 9 and NSF 372. Meets ADA ANSI/ICC A117.1 requirements.

Job Name \_\_\_\_\_  
 Model Specified \_\_\_\_\_ Quantity \_\_\_\_\_  
 Variations Specified \_\_\_\_\_  
 Date \_\_\_\_\_



**Features & Benefits:**

- Shutoff / control valve
- Concealed body type
- Ø2 3/4" polished chrome plated brass adjustable wall flange & sleeve
- 3/8" NPT inlet and outlet
- 1/2" NPT male x 3/8" NPT female bushings included
- Quarter-Turn Eterna compression cartridge w/ spring check
- 4-arm handle w/ blue color coded index
- Designed for installation in line between mixing valve and hose reel
- Material: Rough brass body and polished chrome plated handle and escutcheon

**Product Compliance:**

- ASME A112.18.1 / CSA B125.1
- NSF 61 - Section 9
- NSF 372 (Low Lead Content)
- ANSI A117.1 (ADA)



**Warranty:** One Year (Limited)

**Performance Data:**

- Pressure: 20 - 125 psi [1.38 - 8.62 bar]
- Temperature: 40 °F - 140 °F [4.44 °C - 60 °C]
- Flow Rate: 5.50 GPM [ 20.8 L/min] @ 60 psi [4.14 bar]



**ADA Compliant**

**Optional Cartridges With Checks**

- Quarter-Turn Cerama w/ Check Valve
- Quarter-Turn Eterna w/ Spring Check (Standard)

