



Architect/Engineering Specifications:

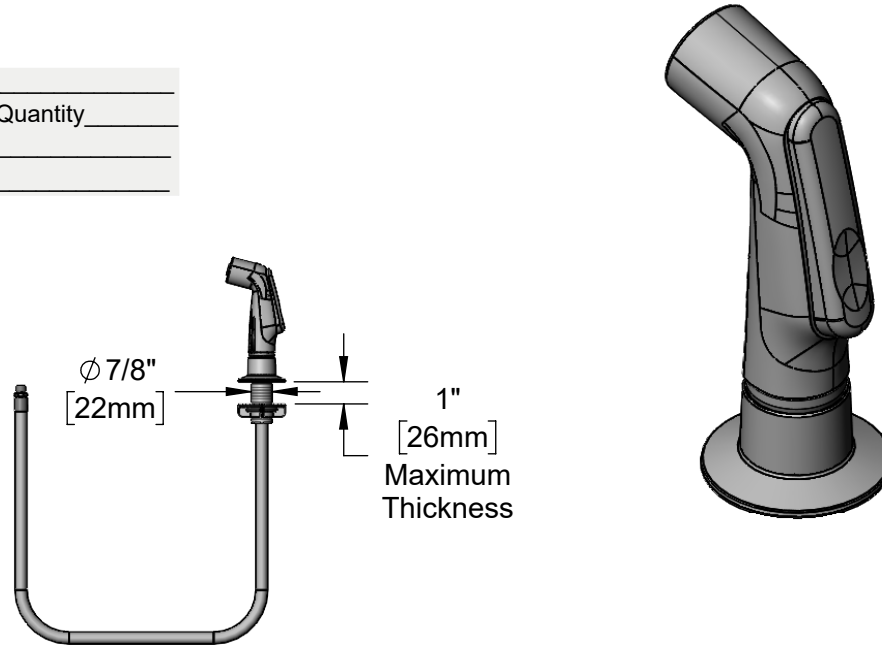
Self closing sidespray with 48" reinforced vinyl hose, hose guide and 1/8" NPT male threads. Certified to ASME A112.18.1/CSA B125.1, NSF 61-Section 9, and NSF 372

Job Name _____

Model Specified _____ Quantity _____

Variations Specified _____

Date _____



Features & Benefits:

- Self-closing sidespray
- 48" reinforced vinyl hose
- Hose guide
- 1/8" NPT male threads
- Material: Thermoplastic spray valve

Product Compliance:

- ASME A112.18.1 / CSA B125.1
- NSF 61 - Section 9
- NSF 372 (Low Lead Content)
-



Warranty: One Year (Limited)

Performance Data:

- Pressure: 20 - 125 psi [1.38 - 8.62 bar]
- Temperature: 40°F - 140°F [4.44 °C - 60 °C]
- Flow Rate: 2.2 GPM [8.3 l/min] @ 60 psi [4.14 bar]

