

ADA Compliant

This Space for Architect/Engineer Approval

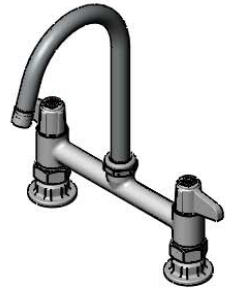
Job Name _____ Date _____

Model Specified _____ Quantity _____

Customer/Wholesaler _____

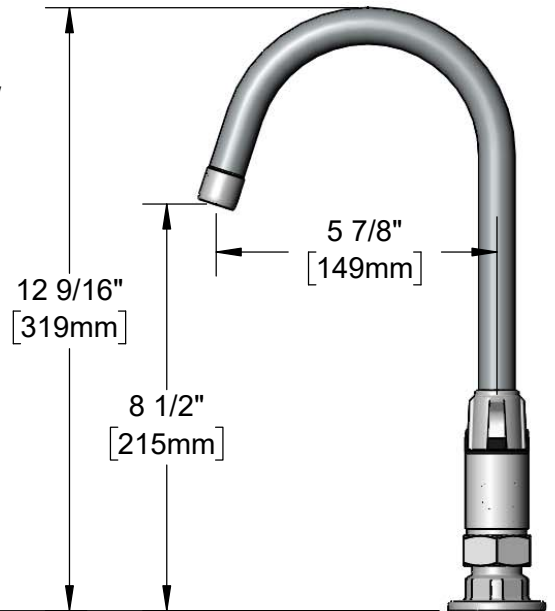
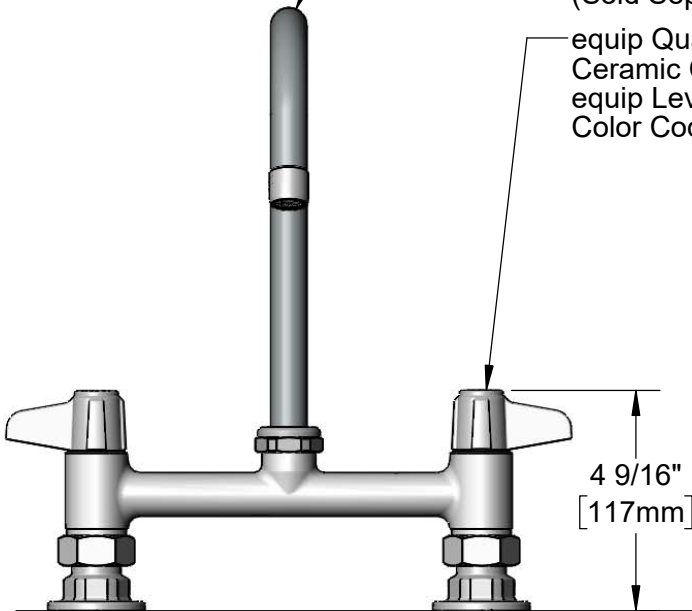
Contractor _____

Architect/Engineer _____



5SP-05C-F15
5 7/8" equip Swivel
Gooseneck
w/ 1.5 GPM Aerator.
Rigid Conversion Requires
014200-45 Lock Washer
(Sold Separately)

equip Quarter-Turn
Ceramic Cartridges &
equip Lever Handles w/
Color Coded Screws



Mounting
Surface

8"
[203mm]
Adjustable From
7 3/4" to 8 1/4"
[197mm to 210mm]

Ø 2" [51mm]
Flanges w/
1/2" NPT
Female Inlets



B-0425-M
1/2" NPT Male
Supply Nipple Kit
(Included)

Rough-In Requirement:
(2) Ø 1" [25mm] Mounting Holes

Model Number

5F-8DLS05C-F15

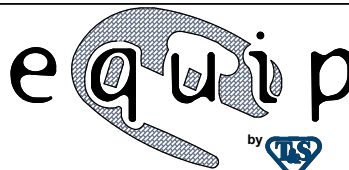
Product Specifications:

8" Deck Mount Mixing Faucet, equip Quarter-Turn Ceramic Cartridges, equip Lever Handles, 5 7/8" equip Swivel Gooseneck, 1.5 GPM Aerator & 1/2" NPT Male Supply Nipple Kit

Product Compliance:

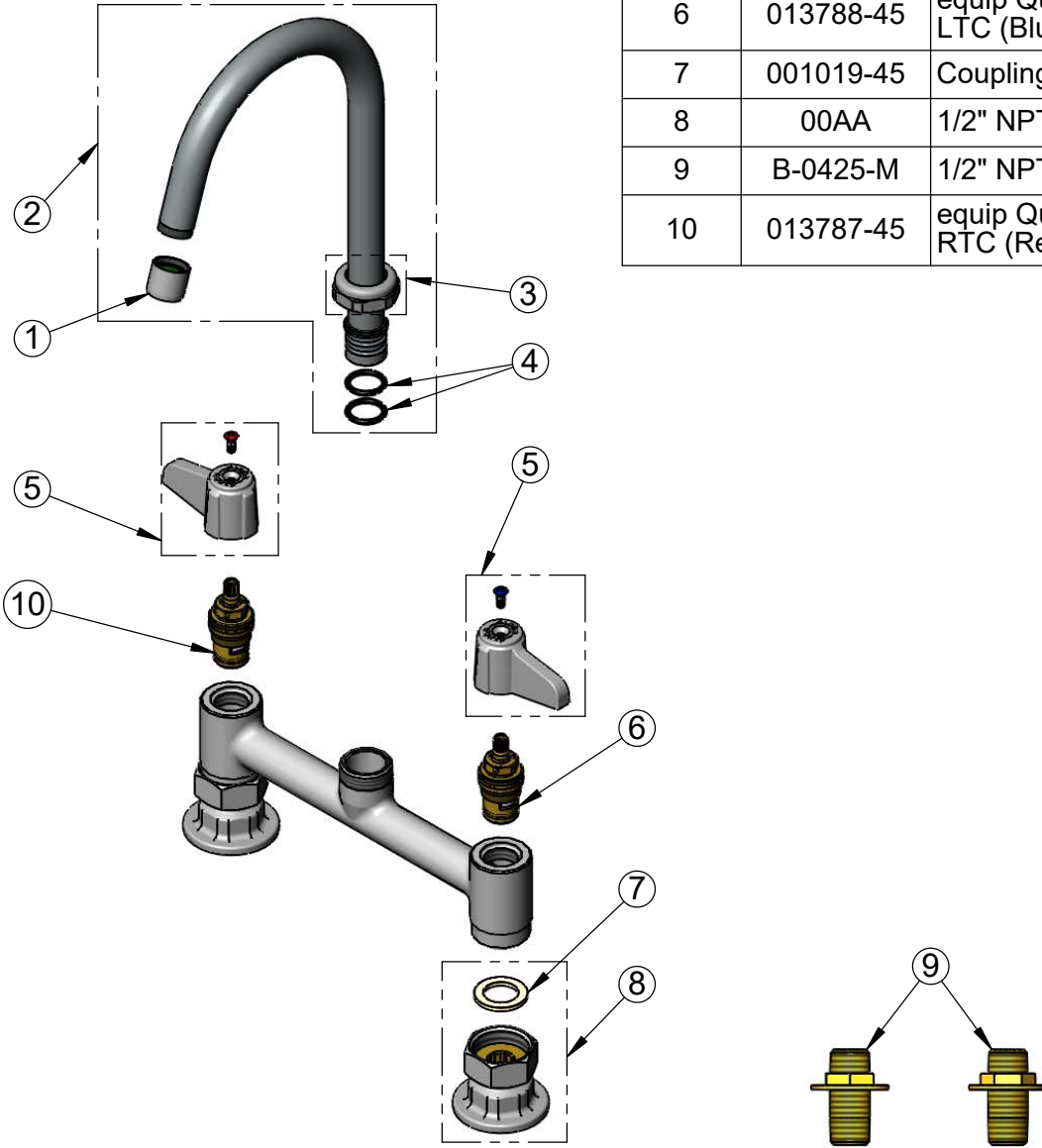
ASME A112.18.1 / CSA B125.1
NSF 61 - Section 9
NSF 372 (Low Lead Content)
ANSI A117.1 (ADA)

equip
Foodservice
Accessories



2 Saddleback Cove, P.O. Box 1088
Travelers Rest, South Carolina 29690
Phone: 800.891.4808 Fax: 800.868.0084
equip.tsbrass.com

ITEM NO.	SALES NO.	DESCRIPTION
1	SP-F15	1.5 GPM Aerator, 3/4-27 UN Female
2	5SP-05C-F15	5 7/8" Swivel Gooseneck
3	013839-25	equip Swivel Nut
4	013848-45	O-Ring
5	5-HDL-L	equip Lever Handle w/ Color Coded Screws
6	013788-45	equip Quarter-Turn Ceramic Cartridge, LTC (Blue)
7	001019-45	Coupling Nut Washer
8	00AA	1/2" NPT Female Eccentric Flange
9	B-0425-M	1/2" NPT Male Supply Nipple Kit (2)
10	013787-45	equip Quarter-Turn Ceramic Cartridge, RTC (Red)



Model Number

5F-8DLS05C-F15

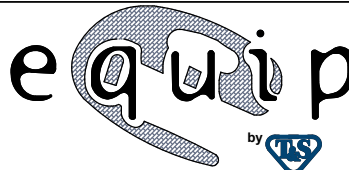
Product Specifications:

8" Deck Mount Mixing Faucet, equip Quarter-Turn Ceramic Cartridges, equip Lever Handles, 5 7/8" equip Swivel Gooseneck, 1.5 GPM Aerator & 1/2" NPT Male Supply Nipple Kit

Product Compliance:

ASME A112.18.1 / CSA B125.1
NSF 61 - Section 9
NSF 372 (Low Lead Content)
ANSI A117.1 (ADA)

equip
Foodservice
Accessories



2 Saddleback Cove, P.O. Box 1088
Travelers Rest, South Carolina 29690
Phone: 800.891.4808 Fax: 800.868.0084
equip.tsbrass.com