



Parts and Repair Kit
018293-45NS

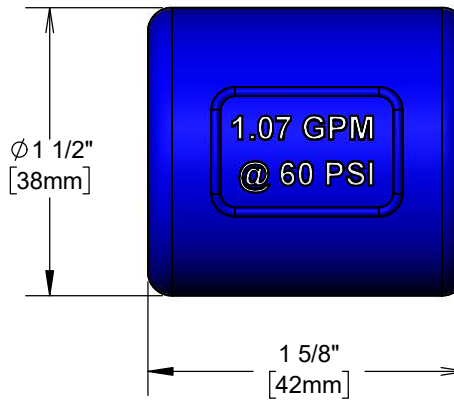
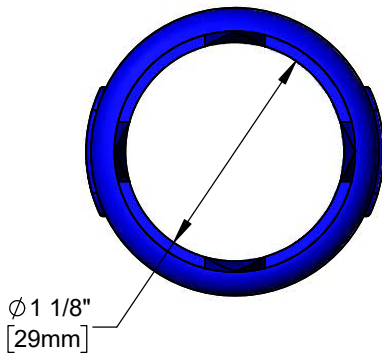
TAG:

Blue Shield

Architect/Engineering Specifications:

1.07 GPM Blue shield and bumper guard for EB-0107-J spray valve.

Job Name _____
 Model Specified _____ Quantity _____
 Variations Specified _____
 Date _____



Features & Benefits:

- 1.07 GPM Blue shield and bumper guard for EB-0107-J spray valve
- Material: Rubber

Product Compliance:

- N/A

Warranty: One Year (Limited)



Performance Data:

- N/A



T&S BRASS AND BRONZE WORKS, INC.



• 2 Saddleback Cove • Travelers Rest, SC 29690
 Ph 800-476-4103 • Fax 864-834-3518
 • Simi Valley, CA • Ph 800-423-0150 • www.tsbrass.com

Date: 07/31/19