



T&S BRASS AND BRONZE WORKS, INC.

2 Saddleback Cove / P.O. Box 1088
Travelers Rest, SC 29690

Model No.

PG-1WSAV-06

Item No.

Travelers Rest, SC: 800-476-4103 • Simi Valley, CA: 800-423-0150 • Fax: 864-834-3518 • www.tsbrass.com

This Space for Architect/Engineer Approval

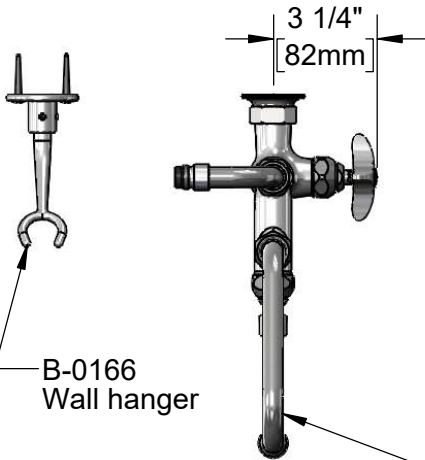
Job Name _____ Date _____

Model Specified _____ Quantity _____

Customer/Wholesaler _____

Contractor _____

Architect/Engineer _____



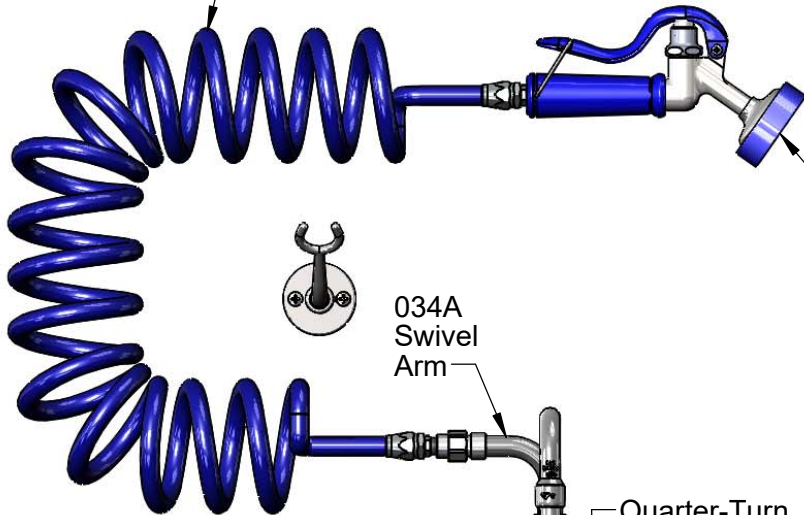
B-0166
Wall hanger

059X
6" Swing Nozzle w/
Stream Regulator Outlet

Coiled Polyurethane
Hose. Maximum
Stretch Length of 9 Ft



Lightweight Aluminum
Handle w/ Rubber
Grip & Hold Down Clip



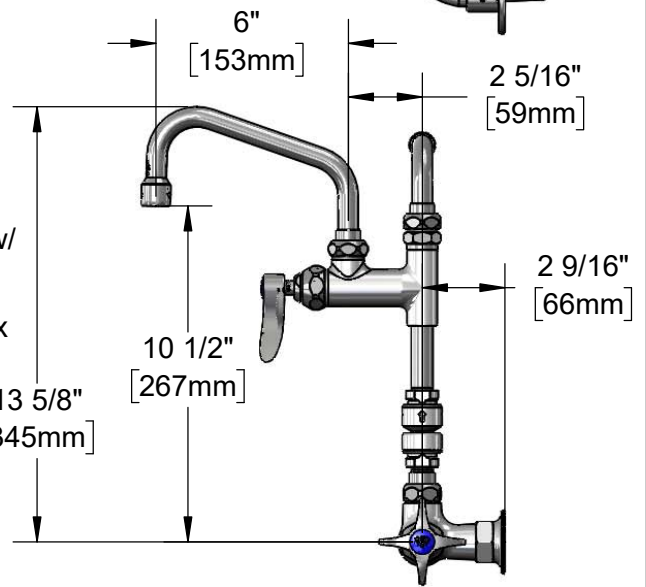
034A
Swivel
Arm

Add-On Faucet
w/ Quarter-Turn
Eterna Cartridge
& Lever Handle

Continuous
Pressure Type
Vacuum
Breaker

Ø2" [51mm]
Flange w/
1/2" NPT
Female Inlet

Quarter-Turn
Eterna Cartridge w/
Spring Check &
4-Arm Handle w/
Color Coded Index



Product Specifications:

Pet Grooming Unit:

Single Hole Wall Mount Faucet, Quarter-Turn Eterna Cartridge w/ Spring Check, Add-On Faucet w/ 6" Swing Nozzle, Vacuum Breaker, 9 Ft Coiled Hose, & Angled Aluminum Spray Valve

Product Compliance:

ASME A112.18.1 / CSA B125.1
NSF 61 Exempt (Non-Potable)
CSA B64.8 (VB)



T&S BRASS AND BRONZE WORKS, INC.

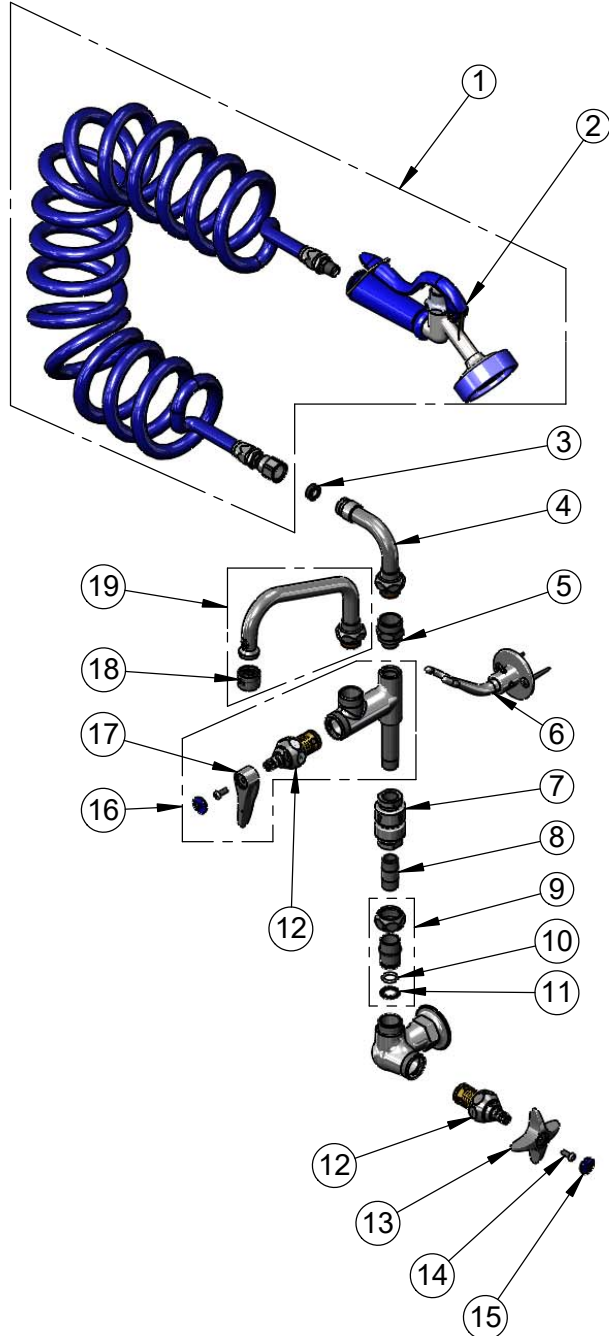
2 Saddleback Cove / P.O. Box 1088
Travelers Rest, SC 29690

Model No.

PG-1WSAV-06

Item No.

Travelers Rest, SC: 800-476-4103 • Simi Valley, CA: 800-423-0150 • Fax: 864-834-3518 • www.tsbrass.com



ITEM NO.	SALES NO.	DESCRIPTION
1	PG-35AV-CH05	Spray Valve w/ 9' of Coiled Hose
2	PG-35AV	Aluminum 35° Spray Valve
3	010476-45	#27 Washer
4	034A	Swivel Adapter, 90°
5	B-0412	Rigid to Swivel Adapter
6	B-0166	Wall Hook
7	B-0970-FE	3/8" NPT Vacuum Breaker
8	002341-40	Nipple, 3/8" NPT x 1-1/2"
9	EZ-K	EasyInstall Kit
10	001065-45	O-Ring
11	014200-45	Star Washer, Anti-Rotation
12	012443-40NS	Quarter-Turn Eterna Cartridge w/ Spring Check, RTC
13	002521-45NS	4-Arm Handle (New Style)
14	000925-45	Lab Handle Screw
15	018506-19NS	Blue Button Index, Press-in
16	B-0155-LN	Add-On Faucet
17	001638-45NS	Lever Handle (New Style)
18	B-PT	Full Flow Stream Regulator, 55/64-27
19	059X	6" Swing Nozzle

Product Specifications:

Pet Grooming Unit:

Single Hole Wall Mount Faucet, Quarter-Turn Eterna Cartridge w/ Spring Check, Add-On Faucet w/ 6" Swing Nozzle, Vacuum Breaker, 9 Ft Coiled Hose, & Angled Aluminum Spray Valve

Product Compliance:

ASME A112.18.1 / CSA B125.1
NSF 61 Exempt (Non-Potable)
CSA B64.8 (VB)