



T&S BRASS AND BRONZE WORKS, INC.
 2 Saddleback Cove / P.O. Box 1088
 Travelers Rest, SC 29690

Model No.
B-2992-L

Item No.

Travelers Rest, SC: 800-476-4103 • Simi Valley, CA: 800-423-0150 • Fax: 864-834-3518 • www.tsbrass.com



ADA Compliant

This Space for Architect/Engineer Approval

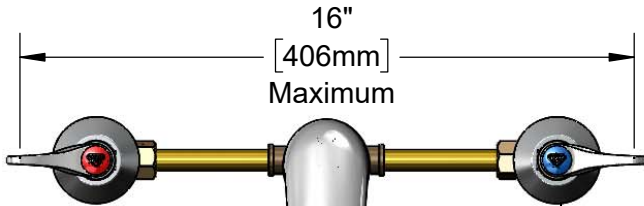
Job Name _____ Date _____

Model Specified _____ Quantity _____

Customer/Wholesaler _____

Contractor _____

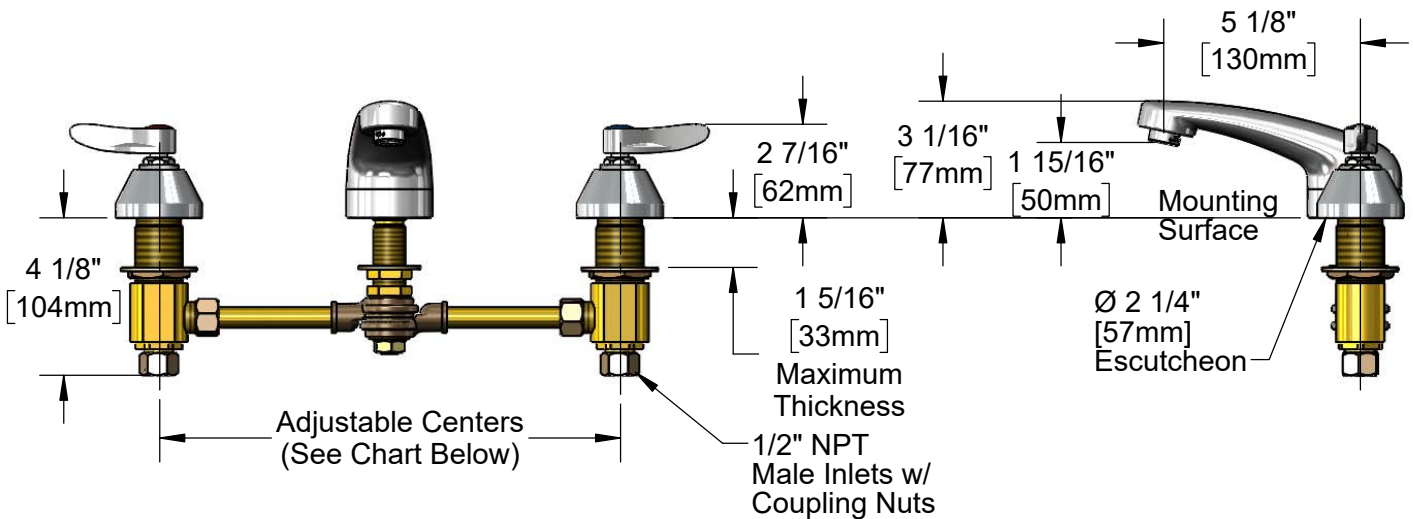
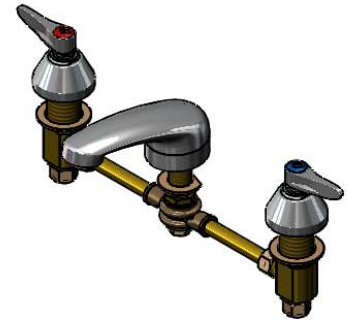
Architect/Engineer _____



16"
 [406mm]
 Maximum

Quarter-Turn
 Cerama Cartridges w/
 Check Valves &
 Lever Handles w/
 Color Coded Indexes

Cast Spout w/
 B-0199-03-N05
 0.5 GPM Spray Device



4 1/8"
 [104mm]

Adjustable Centers
 (See Chart Below)

2 7/16"
 [62mm]

3 1/16"
 [77mm]

1 15/16"
 [50mm]

5 1/8"
 [130mm]

Mounting
 Surface

Ø 2 1/4"
 [57mm]
 Escutcheon

1 5/16"
 [33mm]
 Maximum
 Thickness

1/2" NPT
 Male Inlets w/
 Coupling Nuts

Hot & Cold Center Sections Can be at Angle		if "Y" is	Then Faucet Will Fit "X" with Standard 1/4" NPT Cross Pipes Furnished		
Hot				1/2"	12"
Cold				1"	11 3/4"
Spout				1 1/2"	11 3/8"
		2"	11"		

Product Specifications:

12" Concealed Widespread Mixing Faucet, Quarter-Turn Cerama Cartridges w/ Check Valves, Lever Handles, Cast Spout w/ 0.5 GPM Non-Aerated Spray Device & 1/2" NPT Male Inlets w/ Coupling Nuts

Product Compliance:

ASME A112.18.1 / CSA B125.1
 NSF 61 - Section 9
 NSF 372 (Low Lead Content)
 ANSI A117.1 (ADA)



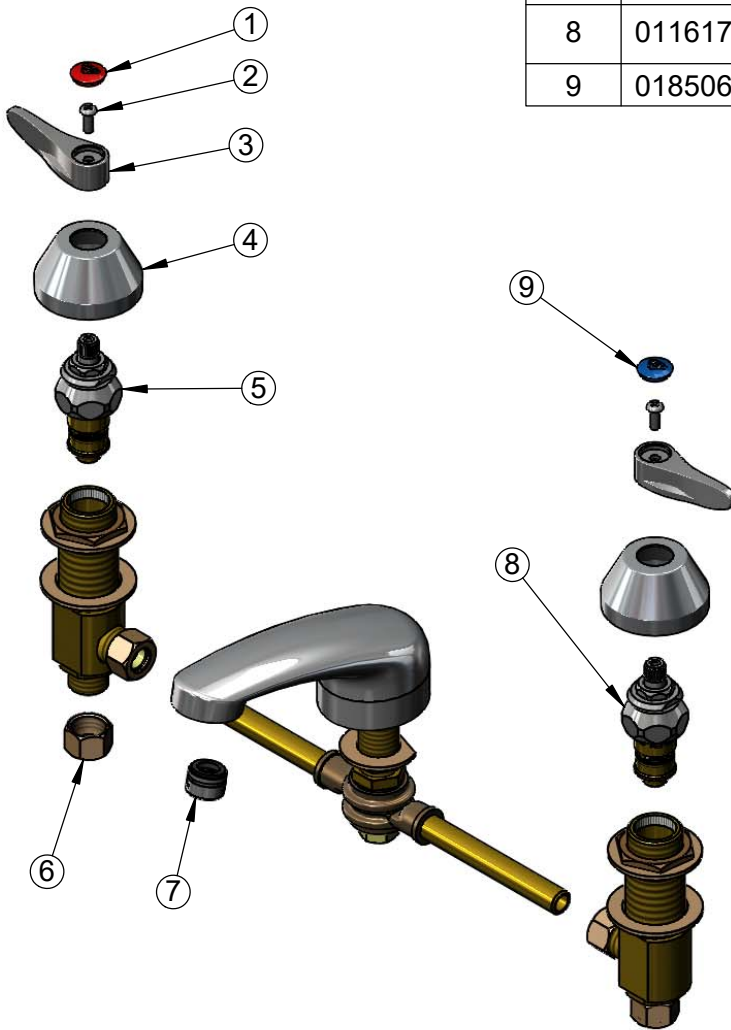
T&S BRASS AND BRONZE WORKS, INC.
 2 Saddleback Cove / P.O. Box 1088
 Travelers Rest, SC 29690

Model No.
B-2992-L

Item No.

Travelers Rest, SC: 800-476-4103 • Simi Valley, CA: 800-423-0150 • Fax: 864-834-3518 • www.tsbrass.com

ITEM NO.	SALES NO.	DESCRIPTION
1	001193-19NS	Red Button Index, Press-in
2	000925-45	Lab Handle Screw
3	001638-45NS	Lever Handle (New Style)
4	001257-40NS	Bell Escutcheon
5	011616-25NS	CWS Quarter-Turn Cerama Cartridge w/ Check Valve, RTC
6	000958-20	Coupling Nut
7	B-0199-03-N05	0.5 GPM Spray Device, 13/16-27 Male
8	011617-25NS	CWS Quarter-Turn Cerama Cartridge w/ Check Valve, LTC
9	018506-19NS	Blue Button Index, Press-in



Product Specifications:

12" Concealed Widespread Mixing Faucet, Quarter-Turn Cerama Cartridges w/ Check Valves, Lever Handles, Cast Spout w/ 0.5 GPM Non-Aerated Spray Device & 1/2" NPT Male Inlets w/ Coupling Nuts

Product Compliance:

ASME A112.18.1 / CSA B125.1
 NSF 61 - Section 9
 NSF 372 (Low Lead Content)
 ANSI A117.1 (ADA)