



T&S BRASS AND BRONZE WORKS, INC.

2 Saddleback Cove / P.O. Box 1088
Travelers Rest, SC 29690

Model No.

B-5125-B

Item No.

Travelers Rest, SC: 800-476-4103 • Simi Valley, CA: 800-423-0150 • Fax: 864-834-3518 • www.tsbrass.com

This Space for Architect/Engineer Approval

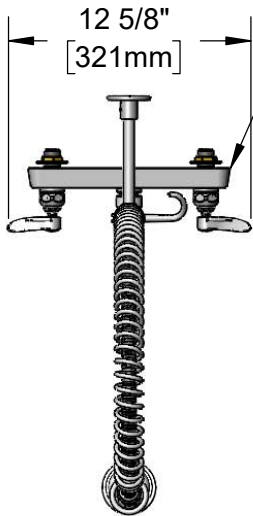
Job Name _____ Date _____

Model Specified _____ Quantity _____

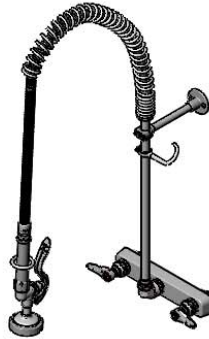
Customer/Wholesaler _____

Contractor _____

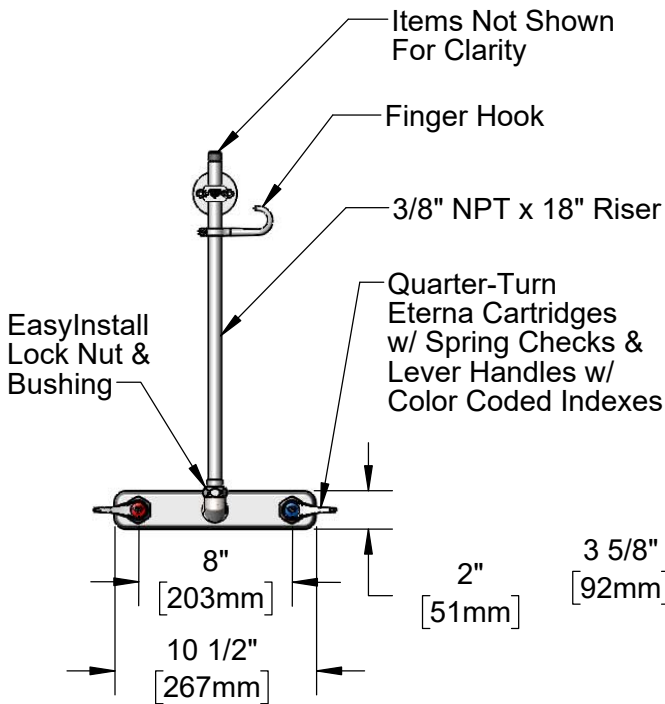
Architect/Engineer _____



Polished Chrome Plated Brass Escutcheon

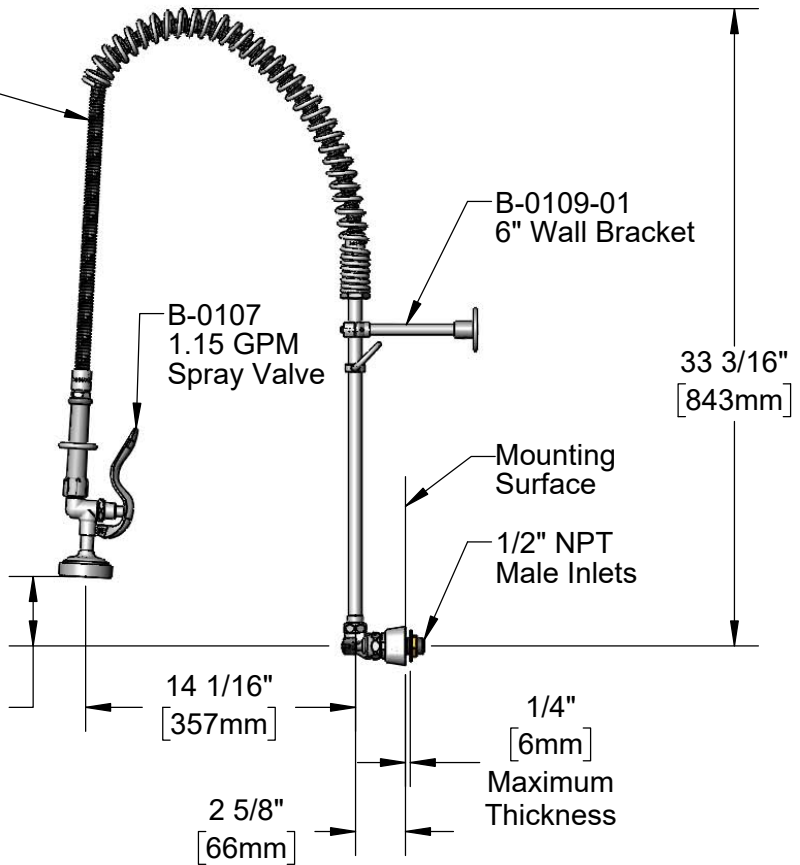


44" Flexible Stainless Steel Hose w/ Spring & Spray Valve



Items Not Shown For Clarity
Finger Hook
3/8" NPT x 18" Riser
Quarter-Turn Eterna Cartridges w/ Spring Checks & Lever Handles w/ Color Coded Indexes

EasyInstall Lock Nut & Bushing



B-0109-01 6" Wall Bracket

B-0107 1.15 GPM Spray Valve

33 3/16" [843mm]

Mounting Surface

1/2" NPT Male Inlets

1/4" [6mm] Maximum Thickness

Rough-In Requirement:
(2) ϕ 1" [25mm] Mounting Holes

Product Specifications:

Pre-Rinse Unit: EasyInstall 8" Wall Mount Workboard Faucet, Quarter-Turn Eterna Cartridges w/ Spring Checks, Lever Handles, 44" Flexible Stainless Steel Hose, 1.15 GPM Spray Valve, 6" Wall Bracket & 1/2" NPT Male Inlets

Product Compliance:

ASME A112.18.1 / CSA B125.1
NSF 61 - Section 9
NSF 372 (Low Lead Content)
2019 DOE PRSV - Class II



T&S BRASS AND BRONZE WORKS, INC.

2 Saddleback Cove / P.O. Box 1088
Travelers Rest, SC 29690

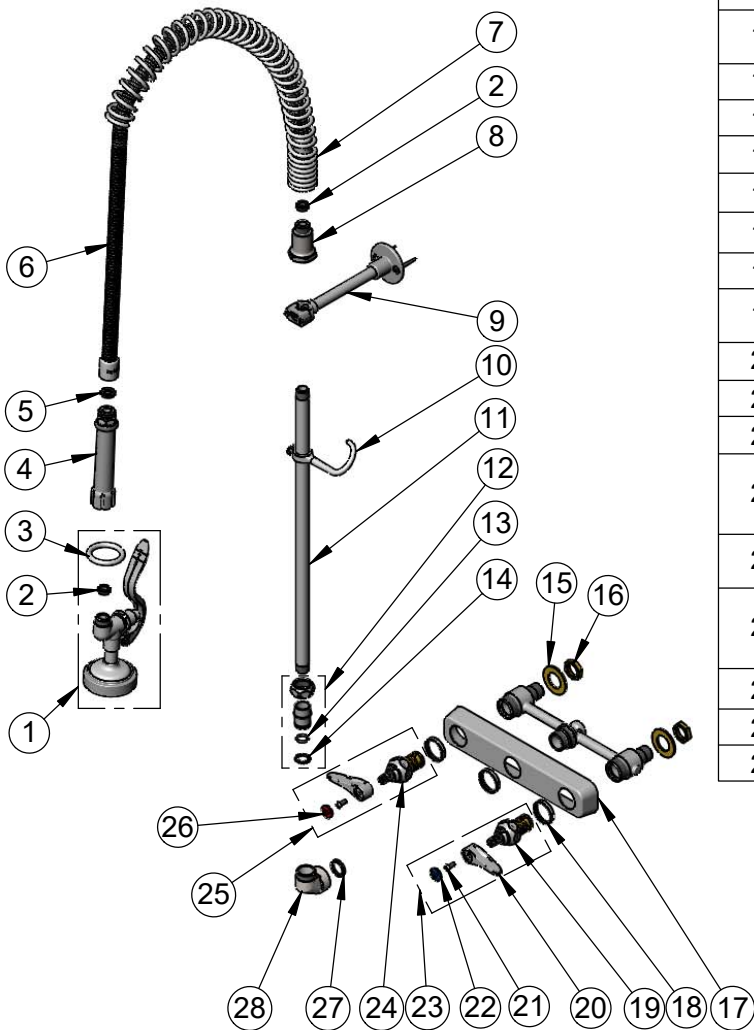
Model No.

B-5125-B

Item No.

Travelers Rest, SC: 800-476-4103 • Simi Valley, CA: 800-423-0150 • Fax: 864-834-3518 • www.tsbrass.com

ITEM NO.	SALES NO.	DESCRIPTION
1	B-0107	1.15 GPM Spray Valve
2	010476-45	#27 Washer
3	000907-45	Spray Valve Hold Down Ring
4	002987-40	Grip Handle
5	001014-45	Washer, B-0100 Hose Barrel
6	B-0044-H2A	44" Stainless Steel Flex Hose, Less Handle
7	000888-45	EasyInstall Overhead Spring
8	000821-40	Spring Body
9	B-0109-01	6" Wall Bracket
10	004R	Finger Hook
11	000369-40	3/8" NPT x 18" Riser
12	EZ-K	EasyInstall Kit: Nut, Bushing, O-ring & Lock Washer
13	001065-45	O-Ring
14	014200-45	Star Washer, Anti-Rotation
15	000999-45	Brass Lock Washer
16	002954-45	Shank Lock Nut
17	019612-40	8" c/c Brass Escutcheon
18	019376-40	Escutcheon Lock Nut
19	012443-40NS	Quarter-Turn Eterna Cartridge, RTC w/ Spring Check
20	001638-45NS	Lever Handle (New Style)
21	000925-45	Lab Handle Screw
22	018506-19NS	Blue Button Index, Press-in
23	019639-40NS	Quarter-Turn Eterna Cartridge, RTC w/ Spring Check, Lever Handle, Blue Index & Screw
24	012442-40NS	Quarter-Turn Eterna Cartridge, LTC w/ Spring Check
25	019638-40NS	Quarter-Turn Eterna Cartridge, LTC w/ Spring Check, Lever Handle, Red Index & Screw
26	001193-19NS	Red Button Index, Press-in
27	001040-45	Washer, 3/4 ID x 15/16 OD x 1/8 thick
28	000082-40	B-1100 Knob



Product Specifications:

Pre-Rinse Unit: EasyInstall 8" Wall Mount Workboard Faucet, Quarter-Turn Eterna Cartridges w/ Spring Checks, Lever Handles, 44" Flexible Stainless Steel Hose, 1.15 GPM Spray Valve, 6" Wall Bracket & 1/2" NPT Male Inlets

Product Compliance:

ASME A112.18.1 / CSA B125.1
NSF 61 - Section 9
NSF 372 (Low Lead Content)
2019 DOE PRSV - Class II