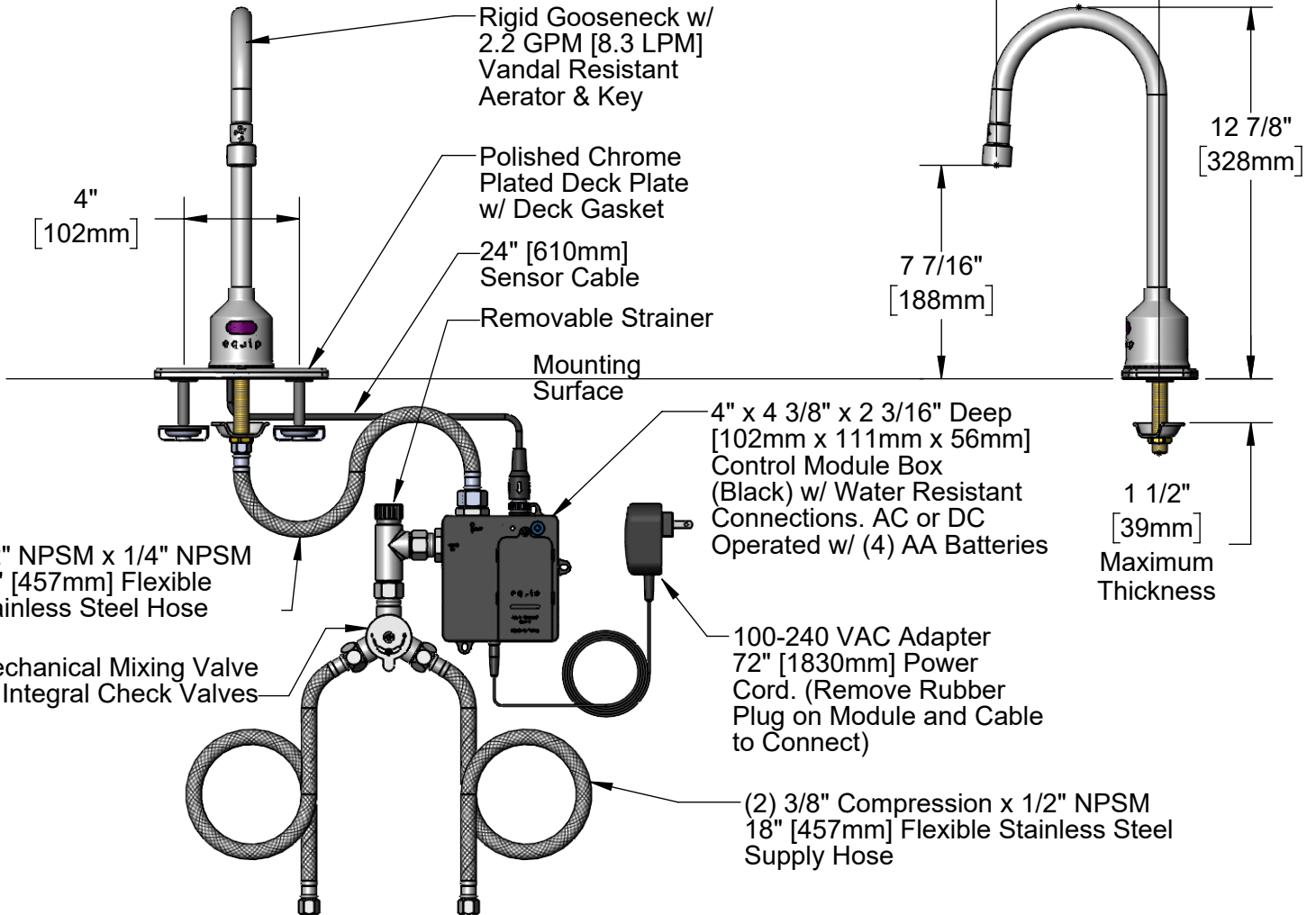


This Space for Architect/Engineer Approval

Job Name _____ Date _____
 Model Specified _____ Quantity _____
 Customer/Wholesaler _____
 Contractor _____
 Architect/Engineer _____



ADA Compliant



Rough-In Requirement:
 Ø 1" [25mm] Center Hole
 (2) Ø 1 1/8" [28mm] Side Holes

Model Number

5EF-1D-DG-4DP

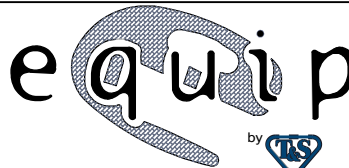
Product Specifications:

Electronic Deck Mount Faucet, Rigid Gooseneck w/ VR 2.2 GPM Aerator, Temp. Control Mixing Valve w/ Check Valves, 4" c/c Deck Plate, (2) 18" Flexible Supply Hoses & AC-DC Control Module

Product Compliance:

ASME A112.18.1 / CSA B125.1
 NSF 61 - Section 9
 NSF 372 (Low Lead Content)
 ANSI A117.1 (ADA)
 UL 1951

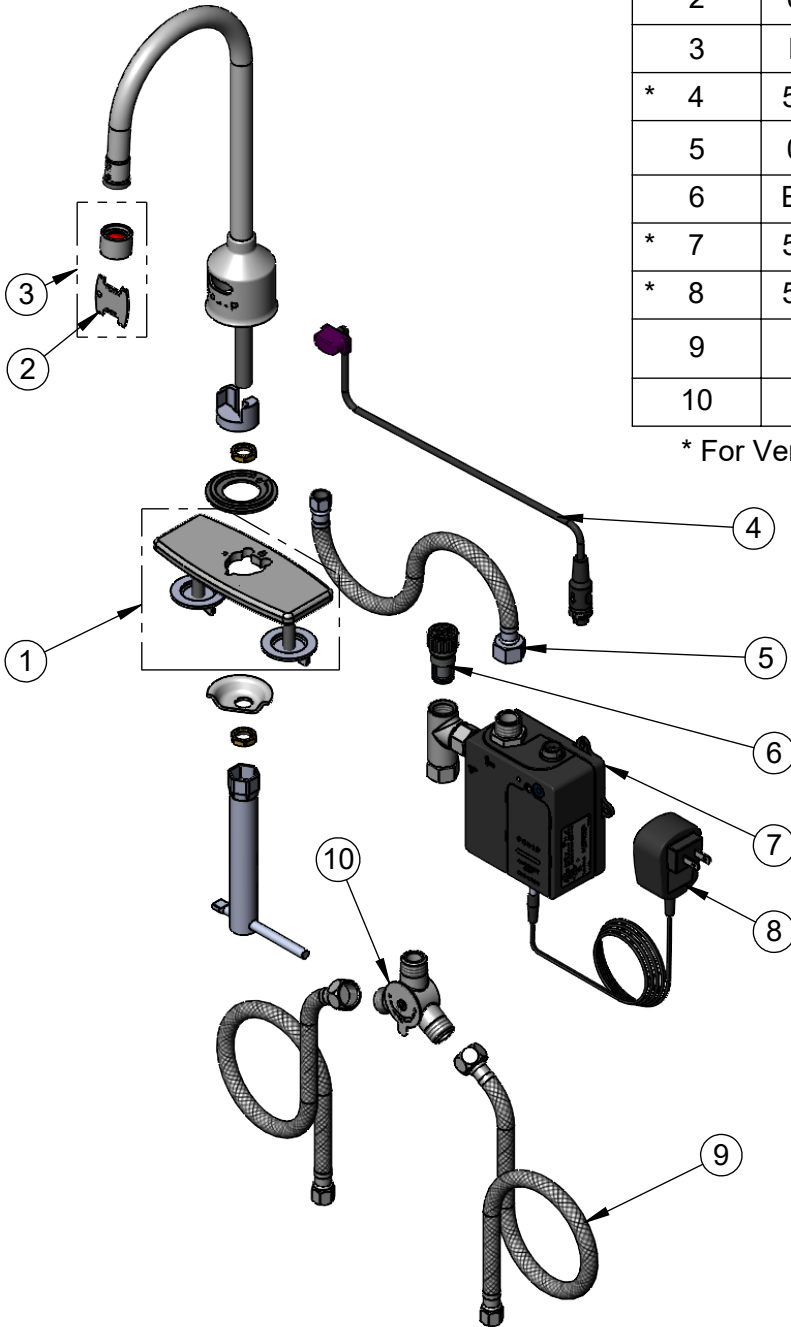
equip
 Foodservice
 Accessories



2 Saddleback Cove, P.O. Box 1088
 Travelers Rest, South Carolina 29690
 Phone: 800.891.4808 Fax: 800.868.0084
 equip.tsbrass.com

ITEM NO.	SALES NO.	DESCRIPTION
1	013433-40	Body, 5EF-1D-DG
2	015425-45	Vandal Resistant Key
3	B-0199-06	VR 2.2 GPM Aerator, 55/64-27 Female
* 4	5EF-0004C	Sensor Cable w/Curved Lens
5	016297-45	Inlet Hose, Faucet, 1/2" NPSM-F x 1/4" NPSM-F
6	EC-FILTER	Replacement Filter
* 7	5EF-0001C	equip Control Module Box (Black)
* 8	5EF-0002C	AC Adapter - US Plug
9	5EF-0005	Supply Hose, 9/16-24 Female x 1/2" NPSM
10	5EF-0006	Temperature Mixing Valve

* For Versions Prior to 2024, Consult with Customer Service



Model Number

5EF-1D-DG-4DP

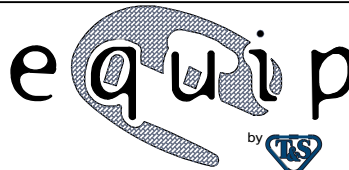
Product Specifications:

Electronic Deck Mount Faucet, Rigid Gooseneck w/ VR 2.2 GPM Aerator, Temp. Control Mixing Valve w/ Check Valves, 4" c/c Deck Plate, (2) 18" Flexible Supply Hoses & AC-DC Control Module

Product Compliance:

ASME A112.18.1 / CSA B125.1
NSF 61 - Section 9
NSF 372 (Low Lead Content)
ANSI A117.1 (ADA)
UL 1951

equip
Foodservice
Accessories



2 Saddleback Cove, P.O. Box 1088
Travelers Rest, South Carolina 29690
Phone: 800.891.4808 Fax: 800.868.0084
equip.tsbrass.com